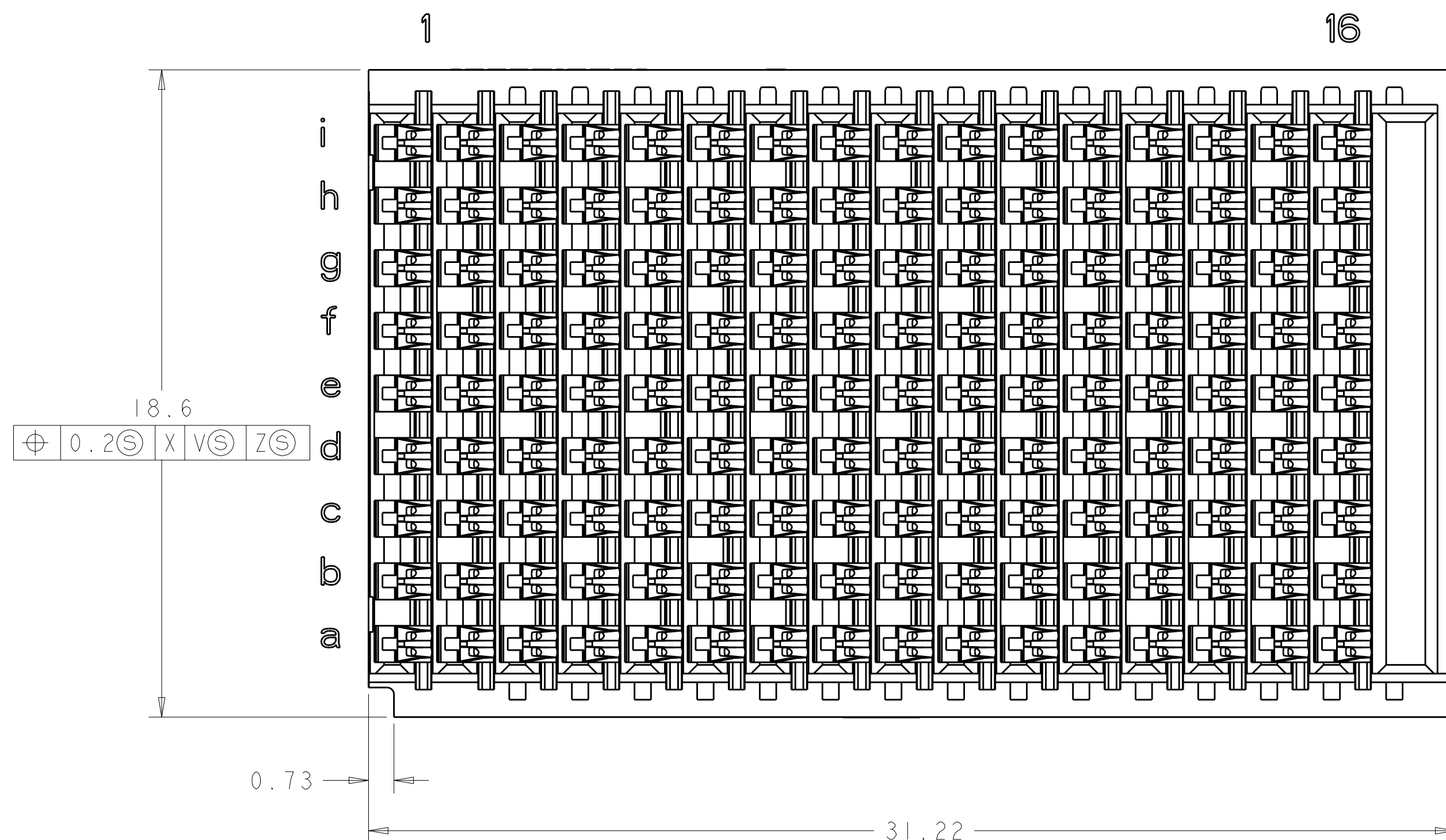
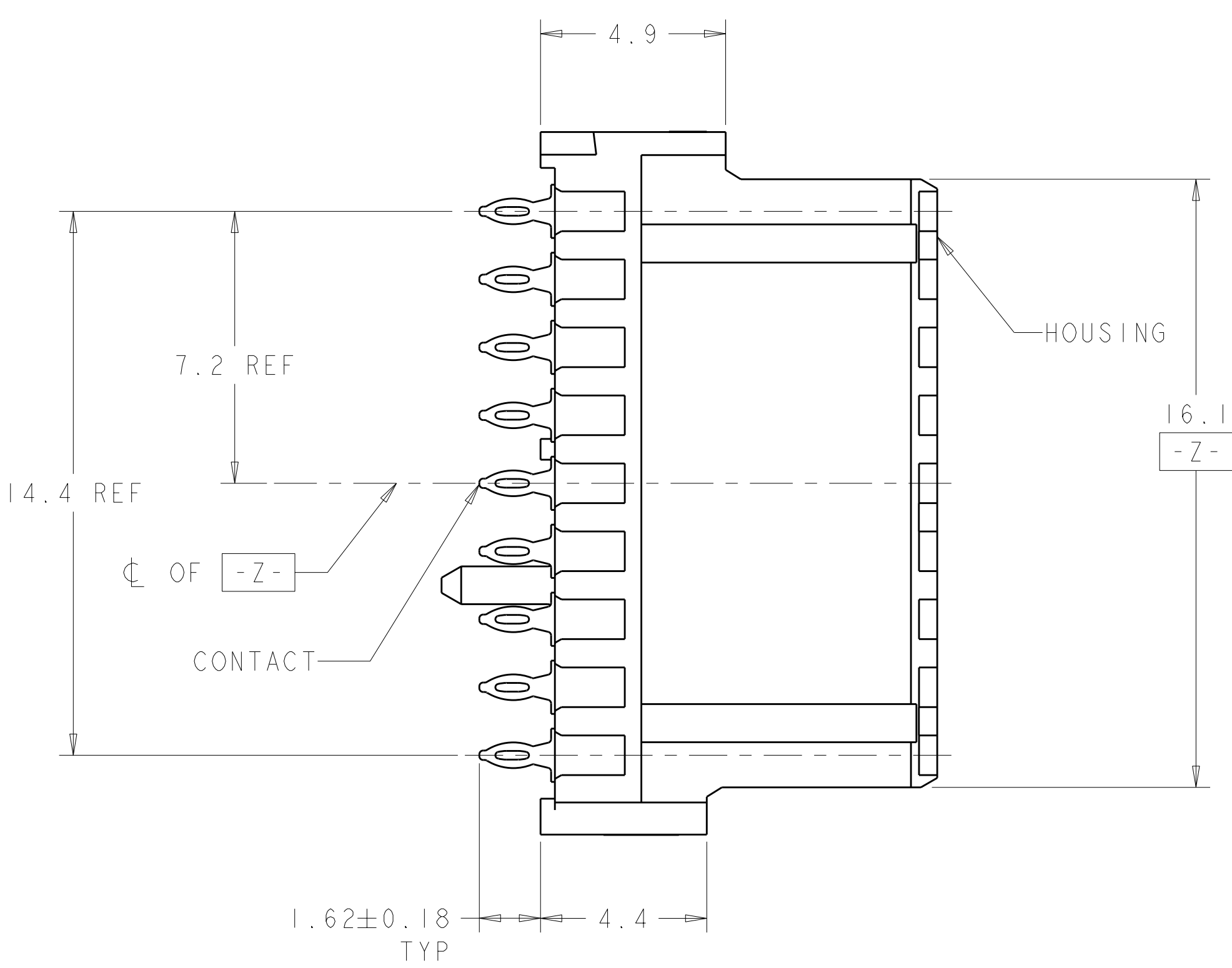
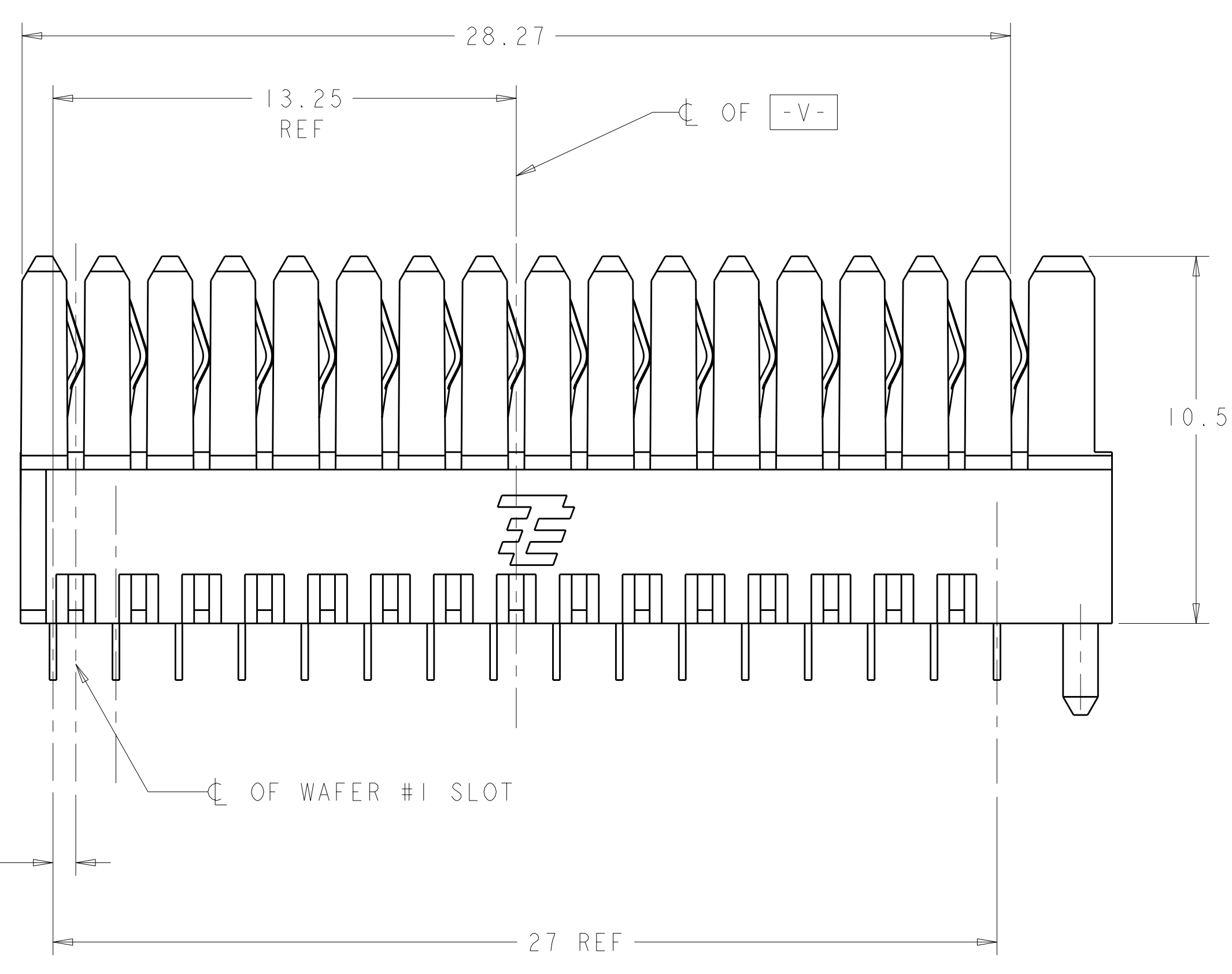
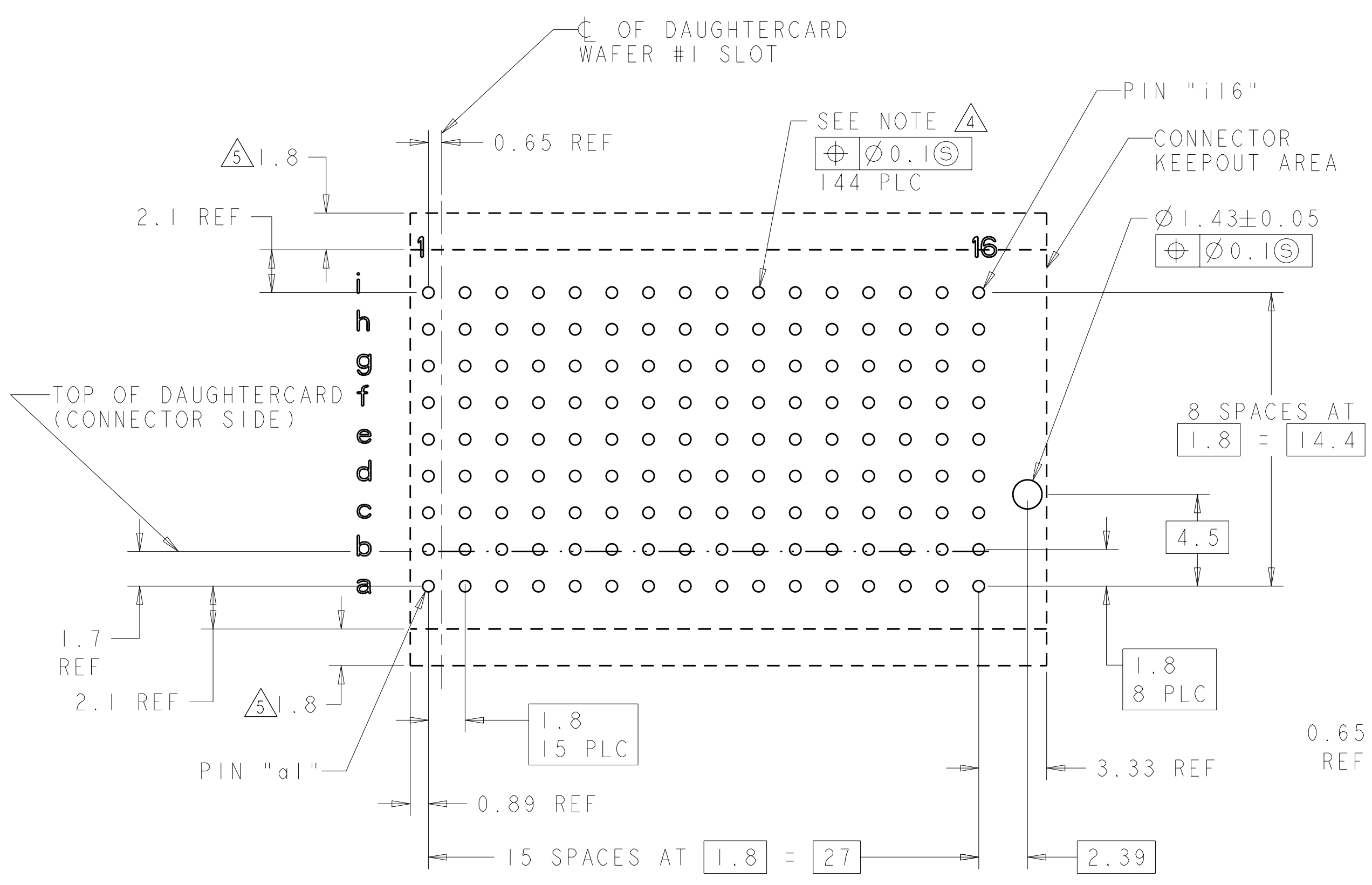


LOC	DIST	REV	DATE	BY	APPD
GP	00	C	08SEP2011	HMR	AS
		REVISIONS			
		DESCRIPTION	DATE	BY	APPD
		REVISD PER ECO-11-003271	08SEP2011	HMR	AS



- 1 HOUSING: LCP, UL94V0, COLOR: BLACK. CONTACT: PHOSPHOR BRONZE.
- 2 FINISH: 1.27µm GOLD IN CONTACT AREA 1.27µm MIN. TIN-LEAD ON PCB TAIL OVER 3.81µm MIN. NICKEL OVER ALL.
- 3 FINISH: 1.27µm GOLD IN CONTACT AREA 1.27µm MIN. TIN ON PCB TAIL OVER 3.81µm MIN. NICKEL OVER ALL.
- 4 MANUFACTURING TOLERANCE FOR:
 Ø0.56±0.05 FINISHED HOLE WITH Sn PB PLATING:
 DRILLED HOLE = Ø0.65±0.02
 COPPER PLATING = 0.025-0.050
 Sn PB PLATING = 0.0038-0.0124
 OR
 Ø0.575±0.050 FINISHED HOLE WITHOUT Sn PB PLATING:
 DRILLED HOLE = Ø0.65±0.02
 COPPER PLATING = 0.025-0.050
- 5 ADDITIONAL CONNECTOR-SIDE KEUPT AREA REQUIRED IF CONNECTOR-SIDE EXTRACTION TOOL IS TO BE USED.



PC BOARD LAYOUT
(CONNECTOR SIDE)
(SEE SHEET 2 FOR RTM)
SCALE 5:1

1410142-2	1410142-1
PLATING	PART NO

THIS DRAWING IS A CONTROLLED DOCUMENT.

DIMENSIONS:	TOLERANCES UNLESS OTHERWISE SPECIFIED:	DWN: R. TREA 13NOV2002	CHK: J. CONSOLI 18NOV2002	APVD: J. CONSOLI 18NOV2002
mm	9 PLC ±0.5	PRODUCT SPEC	108-2072	NAME
	1 PLC ±0.13	APPLICATION SPEC	114-13056	SIZE
	5 PLC ±	WEIGHT		CAGE CODE
	4 PLC ±	CUSTOMER DRAWING		DRAWING NO
	ANGLES ±1°	SCALE	3:1	SHEET
MATERIAL	FINISH	SEE TABLE		1 OF 2
				REV

STE TE Connectivity
CONNECTOR ASSEMBLY, BACKPLANE VERTICAL RECEPTACLE, RIGHT END, 20.3mm, MultiGig RT 2
A100779C=1410142

