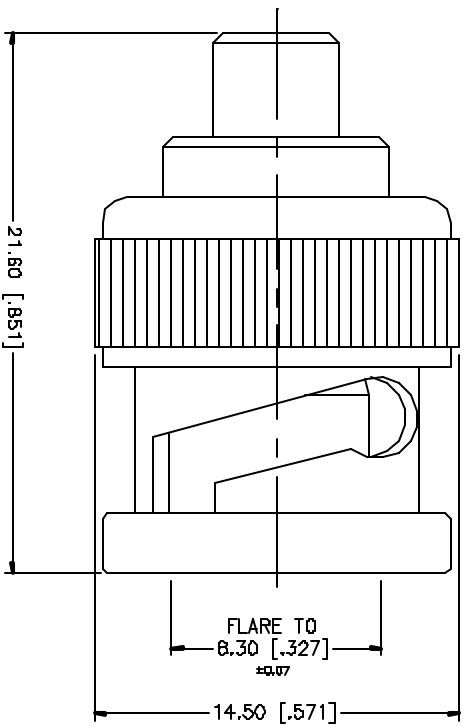


REV.	DATE	DESCRIPTION
NC	06/16/04	UPDATE DRAWING FORMAT



NO.	DESCRIPTION	MATERIAL	FINISH	QTY	UNLESS OTHERWISE SPECIFIED DIMENSIONS ARE IN INCHES AND FOR DECIMALS USE THE FOLLOWING FRACTIONS ONLY.	APPROVALS	DATE	PART DESCRIPTION	DWG. NO.	REV. NC	SIZE	SCALE
8					UNLESS OTHERWISE SPECIFIED DIMENSIONS ARE IN INCHES AND FOR DECIMALS USE THE FOLLOWING FRACTIONS ONLY.			Amphenol Connex BNC PLUG TO MCX JACK ADAPTER	242203		A	NA
7				TOLERANCES FOR UNLESS OTHERWISE SPECIFIED	DRAWN	G.R.S.	06/16/04					
6				0.5 - 0.010 ± 0.0010	CHECKED							
5				0.3 - 0.005 ± 0.0005	ISSUED							
4				3D - 120mm ± 0.50mm	SHEET	1	OF 1					
3	CONTACT PIN	BERL COPPER	GOLD	1	UNLESS OTHERWISE SPECIFIED DIMENSIONS FOR INCHES ARE							
2	INSULATOR	TEFLON	NATURAL	1	.020 - .315 ± 0.0007"							
1	BODY	BRASS	NICKEL	1	.315 - 1.180 ± 0.015" 1.180 - 4.724 ± 0.020"							
	DESCRIPTION	MATERIAL	FINISH	QTY	DO NOT SCALE DRAWINGS							