

Signal conditioner - MCR-C-I-U- 4-DC - 2814511

Please be informed that the data shown in this PDF Document is generated from our Online Catalog. Please find the complete data in the user's documentation. Our General Terms of Use for Downloads are valid (<http://phoenixcontact.com/download>)



MCR 3-way isolating amplifier, for electrical isolation of analog signals, input signal: 4 mA ... 20 mA, output signal: 0 V... 10 V


The figure shows version MCR-C-I-I-00-DC

Why buy this product

- Processing of standard signals
- Fixed setting of input and output signals
- 3-way isolation



Key Commercial Data

Packing unit	5 STK
GTIN	 4 017918 156206
GTIN	4017918156206

Technical data

Note

Utilization restriction	EMC: class A product, see manufacturer's declaration in the download area
-------------------------	---

Dimensions

Width	12.5 mm
Height	99 mm
Depth	114.5 mm

Ambient conditions

Ambient temperature (operation)	-25 °C ... 60 °C
---------------------------------	------------------

Input data

Description of the input	Current input
Number of inputs	1

Signal conditioner - MCR-C-I-U- 4-DC - 2814511

Technical data

Input data

Configurable/programmable	no
Current input signal	4 mA ... 20 mA
Max. input current	50 mA
Input resistance current input	50 Ω

Output data

Number of outputs	1
Configurable/programmable	no
Voltage output signal	0 V ... 10 V
Max. output voltage	15 V
Load/output load voltage output	≥ 10 kΩ
Linear transmission range (in reference to the output range end value)	-10 % ... 110 %

Power supply

Supply voltage range	20 V DC ... 30 V DC
Typical current consumption	< 15 mA (without load)

Connection data

Connection method	Pluggable screw connection
Conductor cross section solid min.	0.2 mm ²
Conductor cross section solid max.	2.5 mm ²
Conductor cross section AWG min.	24
Conductor cross section AWG max.	14
Conductor cross section flexible min.	0.2 mm ²
Conductor cross section flexible max.	2.5 mm ²
Stripping length	8 mm
Screw thread	M3

General

No. of channels	1
Maximum transmission error	≤ 0.3 % (of final value)
Transmission error, typical	< 0.2 % (of final value)
Max. scale factor error	< 0.3 % (of final value)
Maximum temperature coefficient	< 0.015 %/K
Limit frequency (3 dB)	30 Hz
Step response (10-90%)	11 ms
Protective circuit	Transient protection
Test voltage, input/output/supply	1.5 kV (50 Hz, 1 min.)
Color	green
Housing material	Polyamide PA non-reinforced
Mounting position	any
Conformance	CE-compliant

Signal conditioner - MCR-C-I-U- 4-DC - 2814511

Technical data

Standards and Regulations

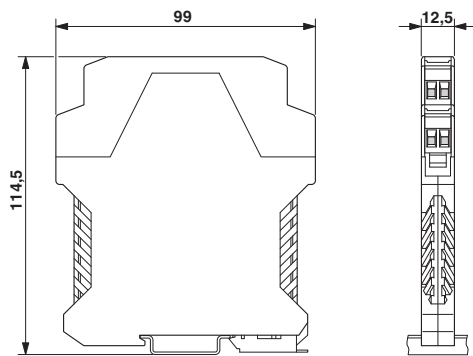
Connection in acc. with standard	CUL
Conformance	CE-compliant

Environmental Product Compliance

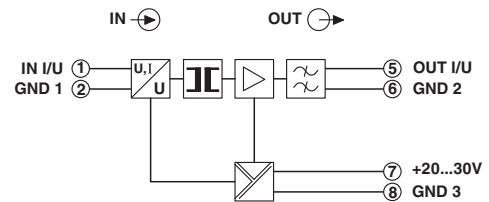
REACH SVHC	Lead 7439-92-1
China RoHS	Environmentally Friendly Use Period = 50
	For details about hazardous substances go to tab "Downloads", Category "Manufacturer's declaration"

Drawings

Dimensional drawing



Circuit diagram



Approvals

Approvals

Approvals

UL Recognized / cUL Recognized / EAC / cULus Recognized

Ex Approvals

Approval details


UL Recognized		http://database.ul.com/cgi-bin/XYV/template/LISEXT/1FRAME/index.htm	FILE E 238705
---------------	--	---	---------------

cUL Recognized		http://database.ul.com/cgi-bin/XYV/template/LISEXT/1FRAME/index.htm	FILE E 238705
----------------	--	---	---------------

Signal conditioner - MCR-C-I-U- 4-DC - 2814511

Approvals

EAC		RU C- DE.A*30.B.01082
-----	---	--------------------------

cULus Recognized		http://database.ul.com/cgi-bin/XYV/template/LISEXT/1FRAME/index.htm
------------------	---	---

Phoenix Contact 2018 © - all rights reserved
<http://www.phoenixcontact.com>

PHOENIX CONTACT GmbH & Co. KG
Flachsmarktstr. 8
32825 Blomberg
Germany
Tel. +49 5235 300
Fax +49 5235 3 41200
<http://www.phoenixcontact.com>