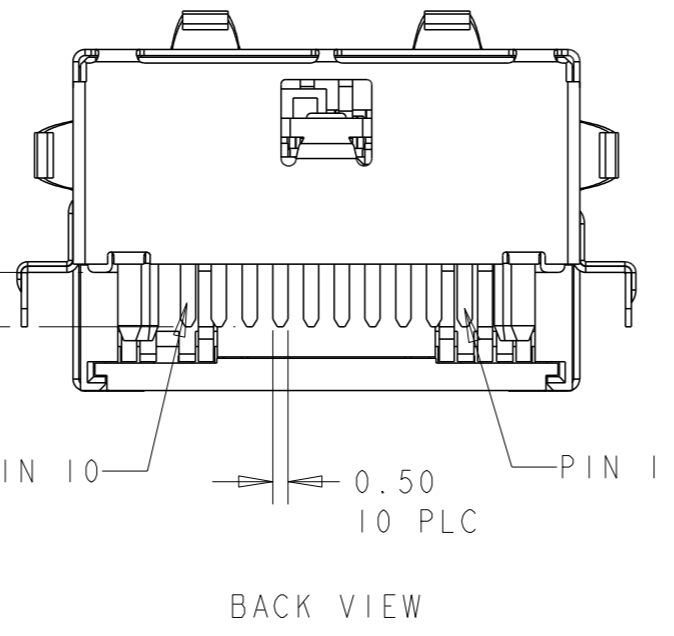
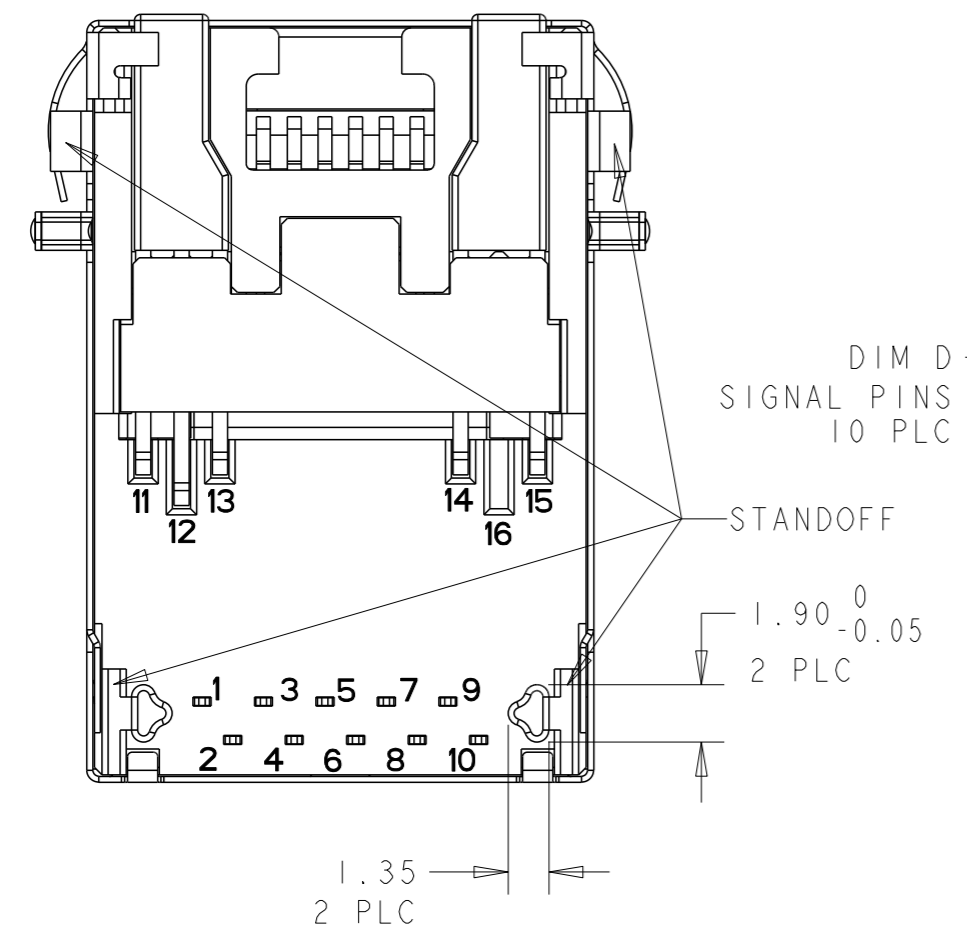
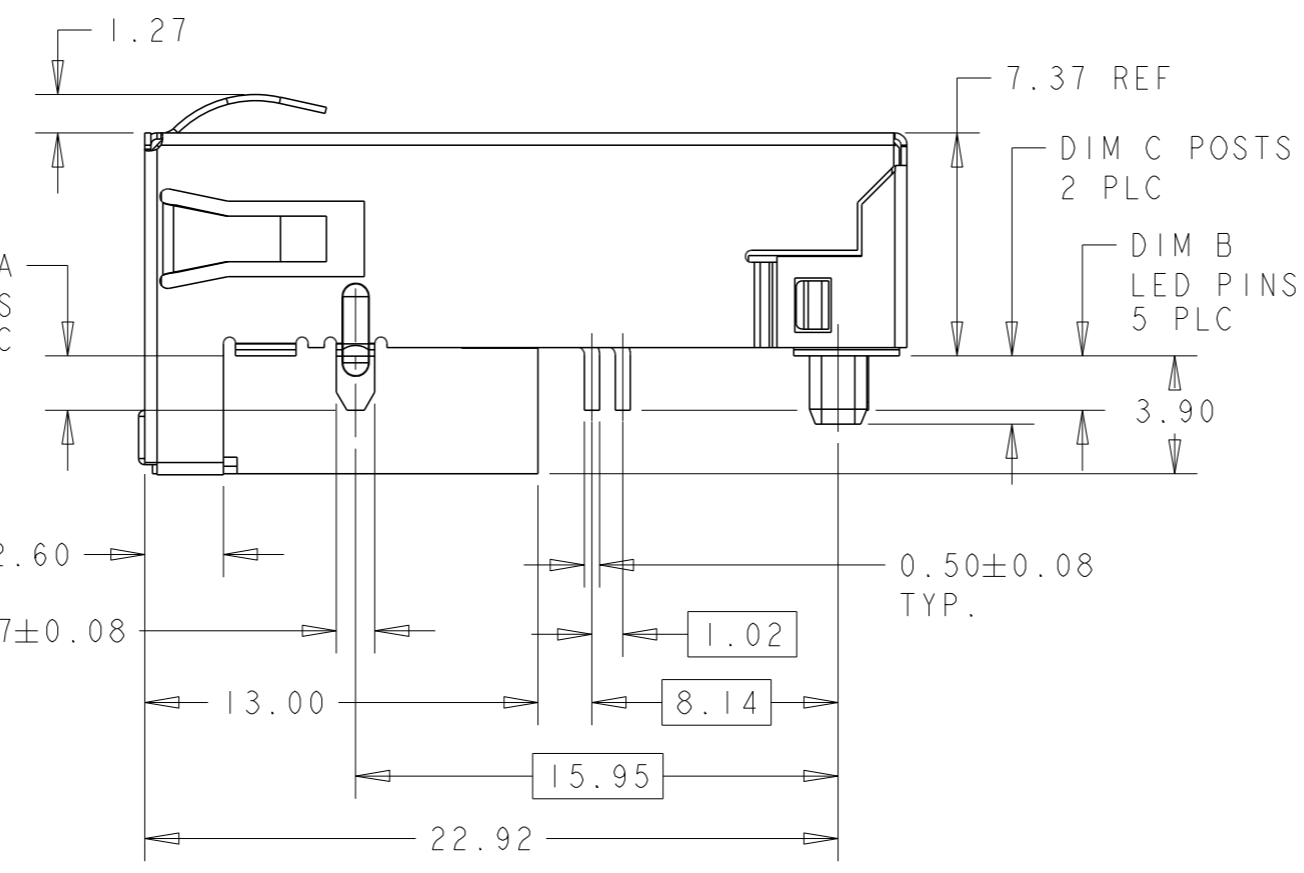
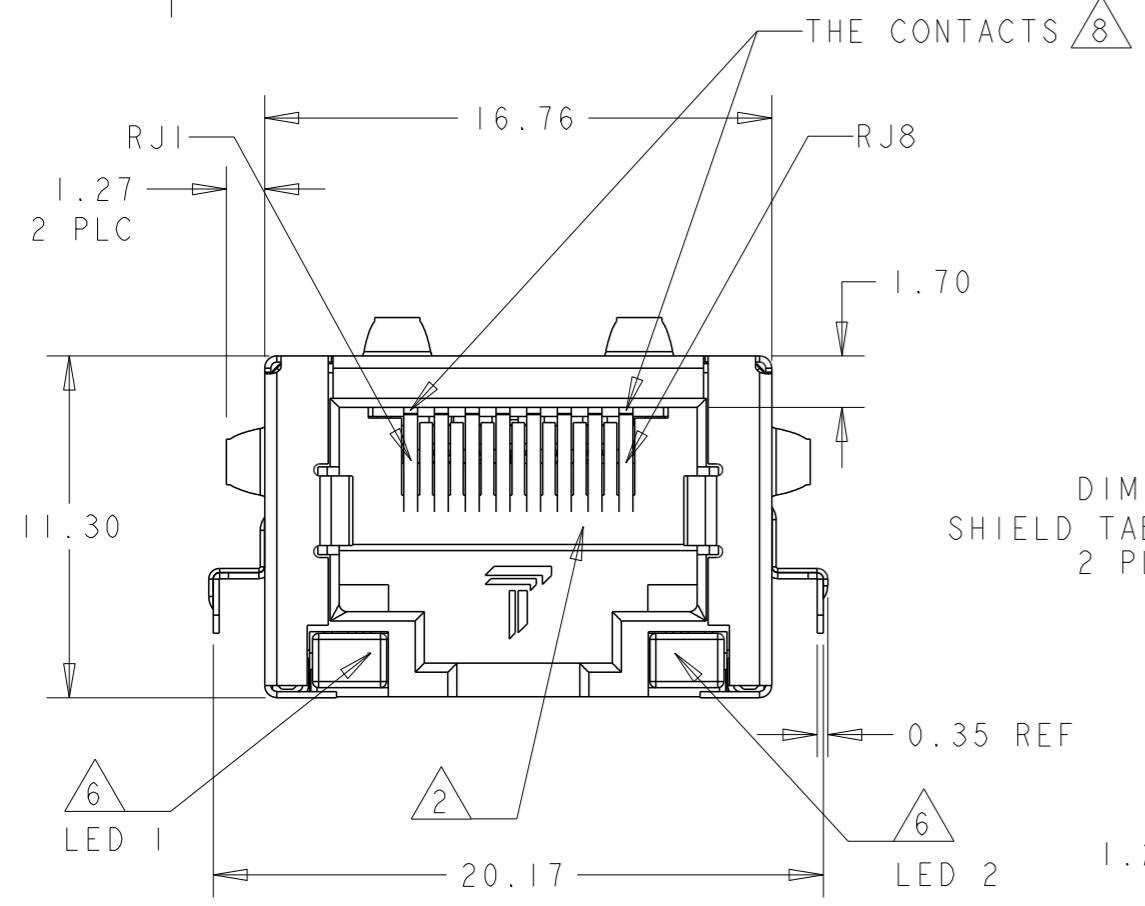
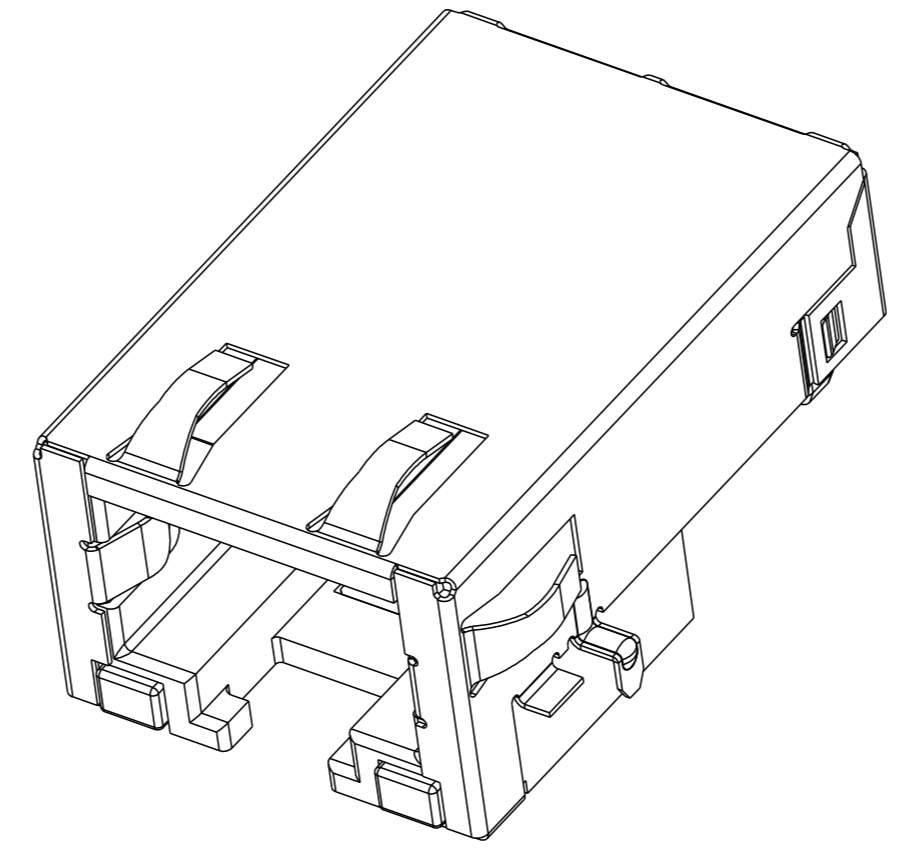
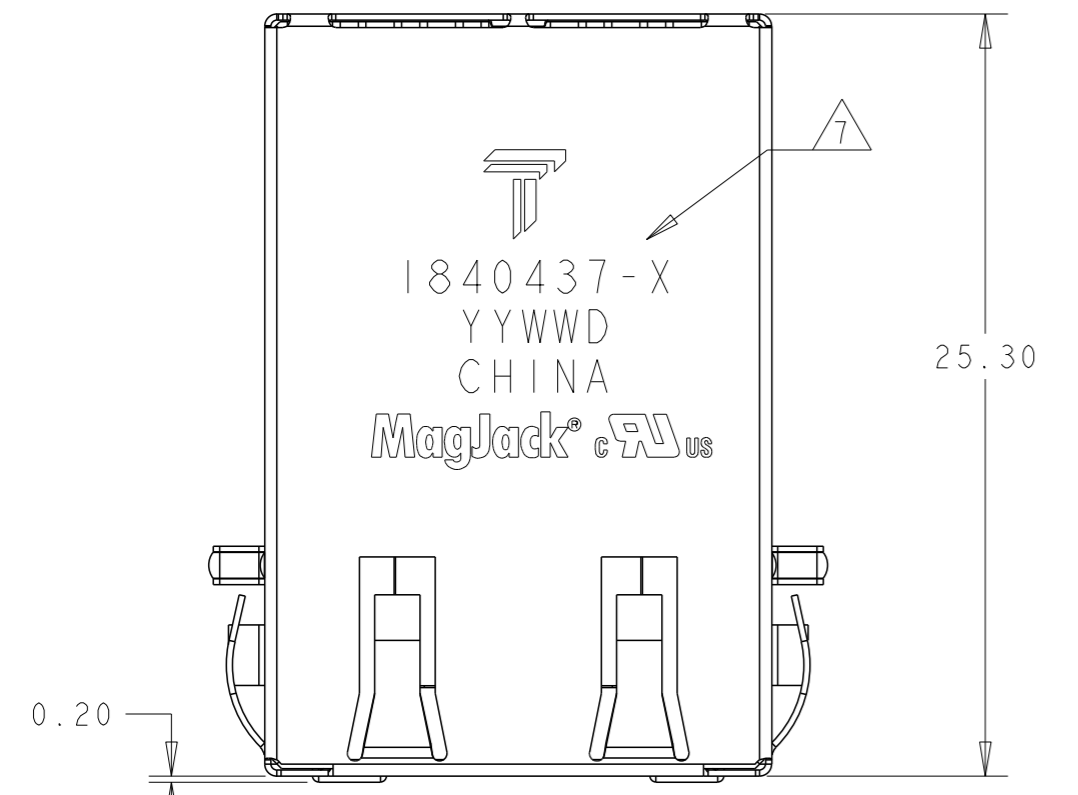


THIS DRAWING AND THE SUBJECT MATTER SHOWN THEREON ARE CONFIDENTIAL AND THE PROPERTY OF BEL/STEWART/TRP CONNECTOR AND SHALL NOT BE REPRODUCED, COPIED, OR USED IN ANY MANNER WITHOUT THE WRITTEN CONSENT OF TRP CONNECTOR.

PRODUCT MAY BE PROTECTED BY ONE OR MORE OF THE FOLLOWING US PATENTS:  
 5736910 5939955 6425781 6428361 6554638 6840817 7123117  
 7429195 7717749 7808751 6217391 6149050 7924130

REVISIONS				
P	LTR	DESCRIPTION	DATE	APVD
H		EC-1401013	13JAN2014	THS TY
J		EC-1411035 COMPANY LOGO CHANGE	09JAN2015	TYR TYN



1. MATERIALS  
 HOUSING: HIGH TEMPERATURE NYLON (FR52G30BL), BLACK, FLAMMABILITY RATING UL 94V-0.  
 SHIELD: BRASS, 0.20mm THICK, PREPLATED WITH MIN 0.76um SEMI-BRIGHT NICKEL;  
 POST DIPPED WITH 2.54um MIN SAC SOLDER AT GROUND PINS.  
 CONTACT: PHOSPHOR BRONZE, 0.25mm THICK  
 WITH 1.27um MIN OVERALL NICKEL UNDERPLATE AND  
 SELECTIVE 1.27um MIN GOLD PLATING AT MATING INTERFACE  
 SOLDER TAIL: 0.25mm THICK, PHOSPHOR BRONZE, 1.27um MIN OVERALL NICKEL UNDERPLATE,  
 3 um MIN MATTE TIN PLATE.  
 LED: DIFFUSED EPOXY LENS, 0.50mm SQUARE CARBON STEEL WIREFRAME LEADS  
 PREPLATED WITH 2.03um MIN SILVER OVER 1.02um MIN NICKEL UNDERPLATE  
 OVER 1.02um MIN COPPER UNDERPLATE; POST PLATED WITH 2.54um MIN MATTE TIN.

2 RJ45 CAVITY CONFORMS TO FCC RULES AND REGULATION PART 68 SUBPART F.  
 3 MAGNETICS  
 -APPLICATION: 10/100/1000 BASE-T  
 -IMPEDANCE: 100 OHMS  
 -TURNS RATIO (CHIP:CABLE): 1:1 ALL FOUR PAIRS  
 -OPEN CIRCUIT INDUCTANCE (OCL): 350uH MIN @100kHz, 0.1VRMS,  
 8mADC BIAS FROM 0°C TO 70°C, ALL FOUR PAIRS  
 -ALL FOUR PAIRS BI-DIRECTIONAL  
 -PERFORMANCE @ 25°C:  
 INSERTION LOSS (IL): 1.1dB MAX FROM 0.5MHz TO 100MHz  
 RETURN LOSS (RL): 18dB MIN FROM 0.5MHz TO 40MHz  
 12-20LOG(f/80)dB MIN FROM 40.1MHz TO 100MHz  
 CROSSTALK ATTENUATION: 35dB MIN FROM 0.5MHz TO 40MHz  
 33-20LOG(f/50)dB MIN FROM 40.1MHz TO 100MHz  
 COMMON MODE REJECTION RATIO (CMRR): 30dB MIN FROM 0.5MHz TO 100MHz  
 -ISOLATION VOLTAGE: COMPLY WITH IEEE802.3 2002, PARA 40.6.1.1, ITEM b.

4 OPERATING TEMPERATURE: 0°C ~ 70°C.  
 5 THE MAGNETIC CIRCUIT ARE SYMMETRICAL AND SUPPORT AUTO-MDIX OPERATION.

6 LEDS ARE DRIVEN WITH CONSTANT CURRENT AT APPROX 20mA.  
 LED COLOR: DOMINANT WAVELENGTH (λD): GREEN 568 nm TYP. at IF=20mA  
 FORWARD VOLTAGE (VF): GREEN 2.2V TYP. at IF=20mA  
 DOMINANT WAVELENGTH (λD): YELLOW 588 nm TYP. at IF=20mA  
 FORWARD VOLTAGE (VF): YELLOW 2.1V TYP. at IF=20mA  
 DOMINANT WAVELENGTH (λD): ORANGE 610 nm TYP. at IF=20mA  
 FORWARD VOLTAGE (VF): ORANGE 2.1V TYP. at IF=20mA

7 TRP CONNECTOR LOGO, PART NUMBER, DATE CODE, COUNTRY OF ORIGIN, AGENCY LOGO TO BE MARKED IN APPROXIMATE LOCATION SHOWN, DATE CODE: "YY" IS YEAR, "WW" IS WORK WEEK, "D" IS DAY OF WEEK, WITH SUNDAY=1. THIS PRINT PART NUMBER IS ONLY FOR REFERENCE, PLEASE REFER TO BELOW TABLE FOR ACTUAL ONE.

8 THIS CONNECTOR CAN PREVENTS THE INSERTION OF RJ11 (6 POSITION) PLUG INTO THE JACK, IF THE INSERTION FORCE MORE THAN 3.2kgf THAT MAY OVERCOME THE SELECTIVE FEATURES AND DAMAGE THE CONNECTOR.

9 ESD (4 PLC) & R5 ARE OPTIONAL, PLEASE SEE TABLE FOR PRESENCE OR ABSENCE IN EACH PART NUMBER.

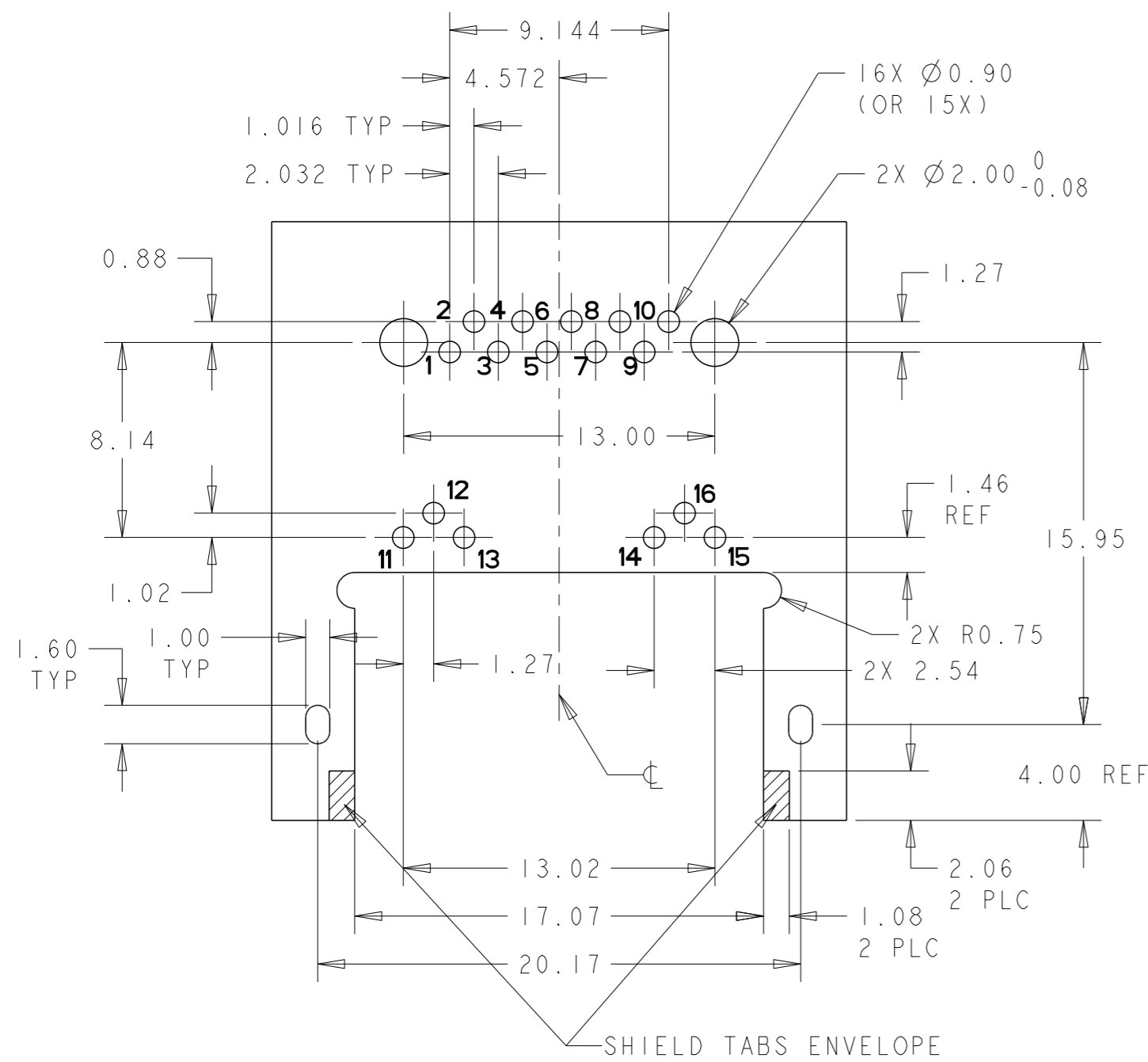
10 ISOLATION VOLTAGE TEST IS APPLIED TO 1-1840437-1 AND 2-1840437-1.

11. THESE PARTS ARE COMPLIANT TO BOTH WAVE SOLDERING PROCESS, PREHEAT TEMPERATURE IS ABOVE 150°C, 120 SECONDS TO 180 SECONDS, PEAK SOLDERING TEMPERATURE IS 265°C MAX, 10 SECONDS MAX; AND IR REFLOW SOLDERING PROCESS, PEAK SOLDERING TEMPERATURE 260°C MAX DURATION TIME 10 SECONDS MAX, OVER 230°C WITHIN 40-60 SECONDS.

OPTION 2	3.22	3.68	3.22	3.22	W/O ESD & R5	GREEN/YELLOW	GREEN/YELLOW	5-1840437-1
OPTION 1	3.22	3.68	3.22	3.22	W/O ESD & R5	GREEN/ORANGE	YELLOW	4-1840437-1
OPTION 1	1.80	2.26	1.80	1.80	W/O ESD & WITH R5	GREEN/ORANGE	YELLOW	3-1840437-9
OPTION 1	1.80	2.26	1.80	1.80	W/O ESD & WITH R5	GREEN/ORANGE	YELLOW	3-1840437-1
OPTION 1	1.80	2.26	1.80	1.80	W/O ESD & R5	GREEN/ORANGE	YELLOW	2-1840437-1
OPTION 1	1.80	2.26	1.80	1.80	WITH ESD ONLY	GREEN/ORANGE	YELLOW	1-1840437-1
OPTION 1	1.80	2.26	1.80	1.80	WITH ESD & R5	GREEN/ORANGE	YELLOW	1840437-1
LED OPTION	DIM D	DIM C	DIM B	DIM A	ESD (4 PLC) & R5 OPTION	LED1	LED2	PART NUMBER

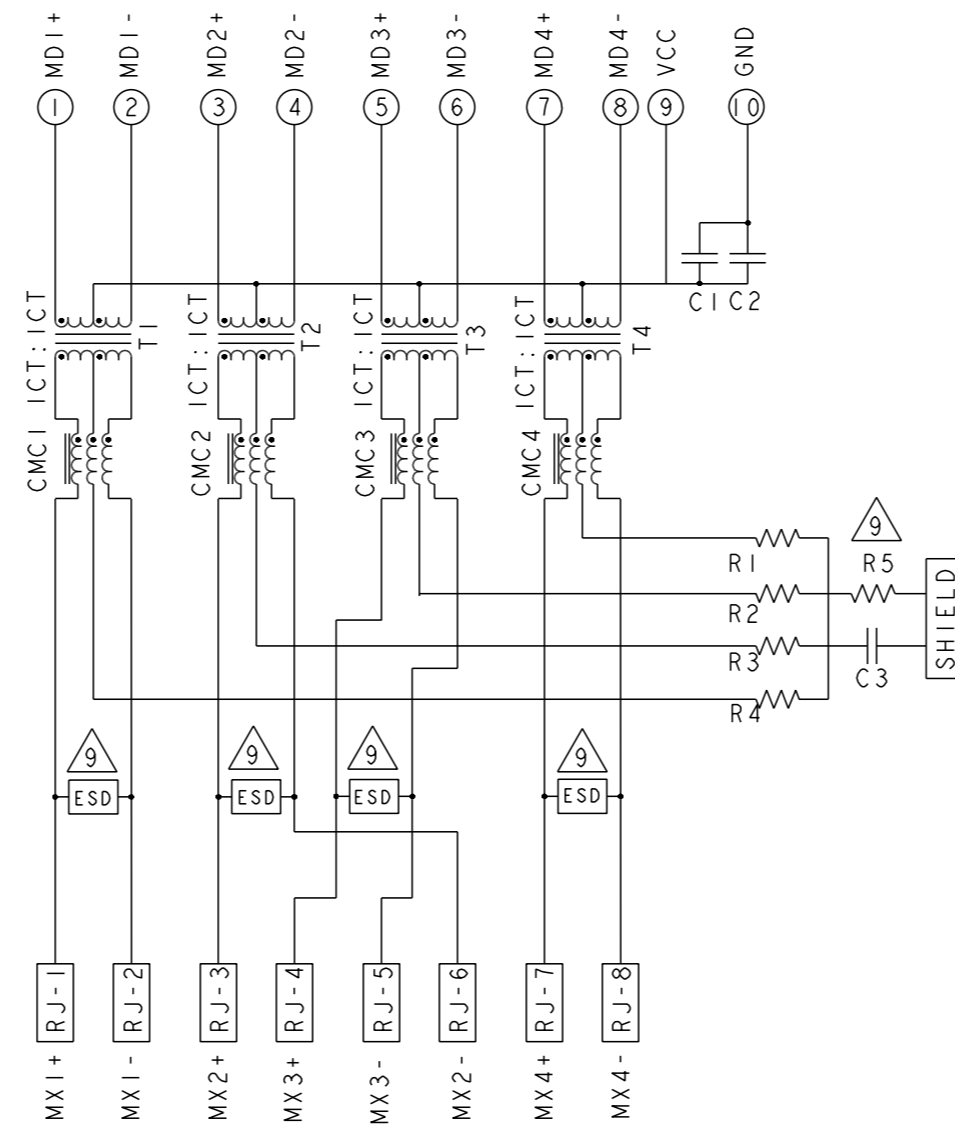
THIS DRAWING IS A CONTROLLED DOCUMENT.  
 DIMENSIONS: mm  
 TOLERANCES UNLESS OTHERWISE SPECIFIED:  
 0 PLC ±  
 1 PLC ±0.25  
 2 PLC ±0.25  
 3 PLC ±0.25  
 4 PLC ±  
 ANGLES ±  
 PRODUCT SPEC 108-2207  
 APPLICATION SPEC -

DWN TOMMY REN 10AUG2007  
 CHK KEITH ZHU 10AUG2007  
 APVD TEDDY XIONG 10AUG2007  
 MODEL NAME MAGJACK SINGLE NON-POE  
 DESC IX1 4G62 GIGABIT TAB DOWN LOW PROFILE OFFSET W/ LED  
 SIZE A2 CAGE CODE G-1840437 DRAWING NO C-1840437 RESTRICTED TO -  
 CUSTOMER DRAWING SCALE 4:1 SHEET 1 OF 2 REV J



SUGGESTED PCB LAYOUT (TOL:±0.05)  
COMPONENT SIDE VIEW

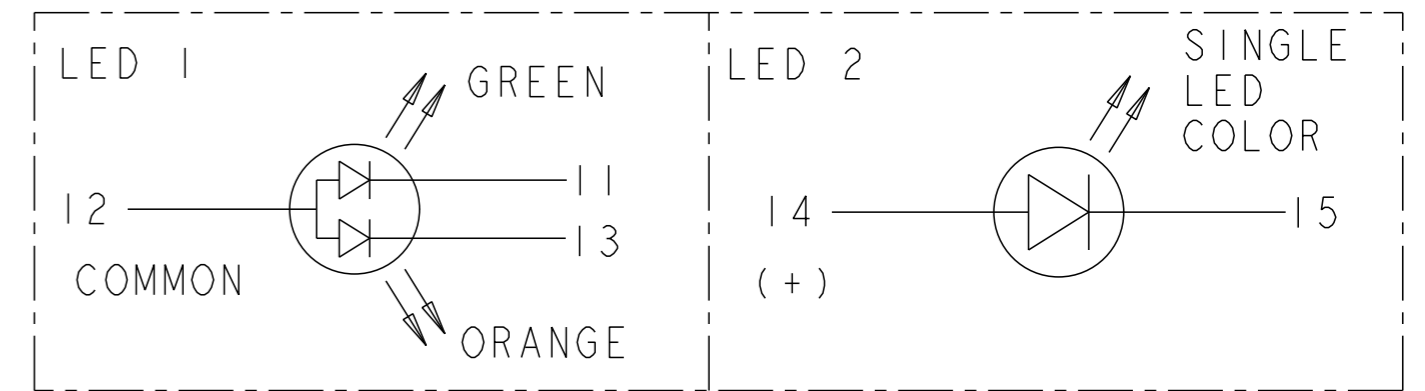
4G62 GIGABIT CIRCUIT



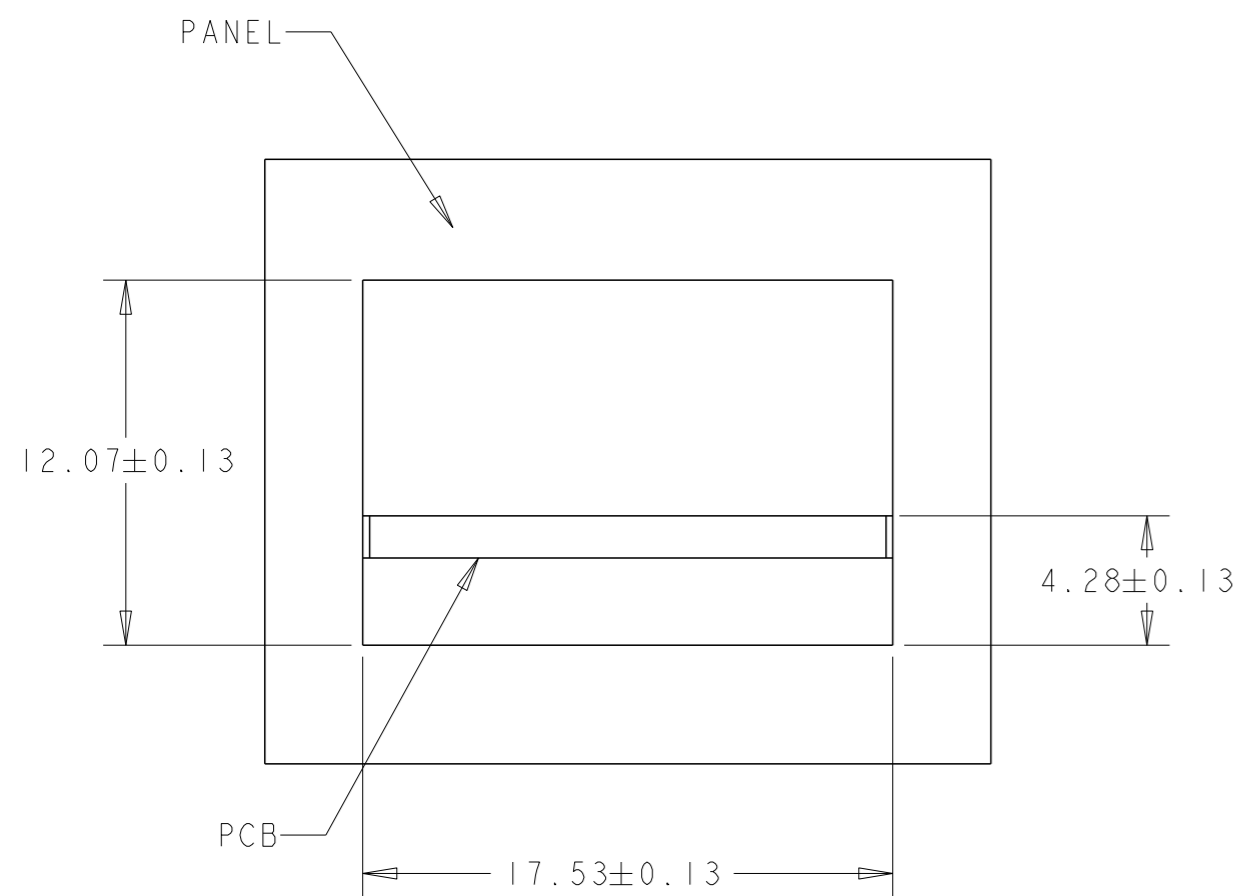
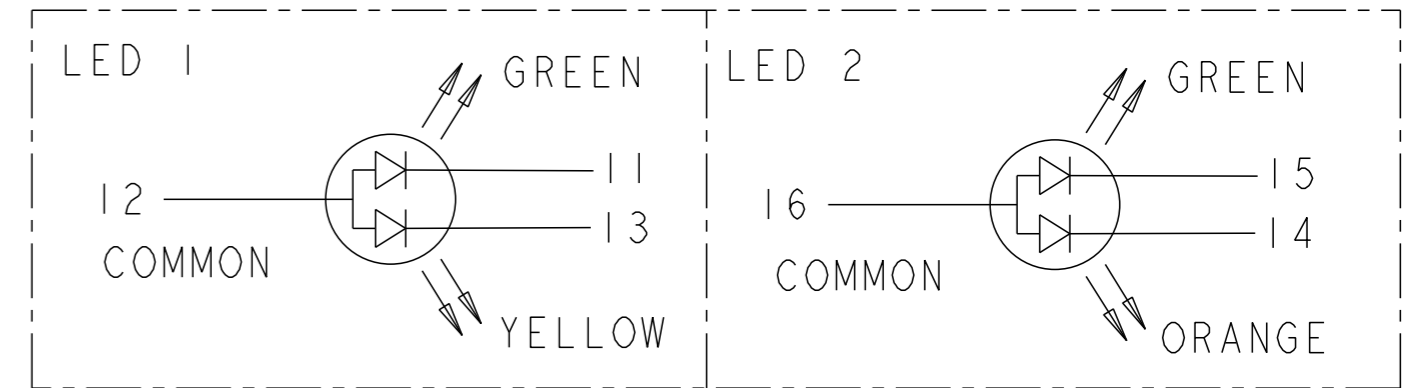
C1-C2 = 0.1uF 50V, CAPACITOR  
 C3 = 1000pF 2KV, CAPACITOR  
 R1-R4 = 75 ohms, 1/16W, RESISTOR  
 R5 = 1M ohms, 1/10W, RESISTOR  
 R5 = 22M ohms, 1/16W, RESISTOR, ONLY  
 FOR 3-1840437-1, 3-1840437-9

LED OPTION

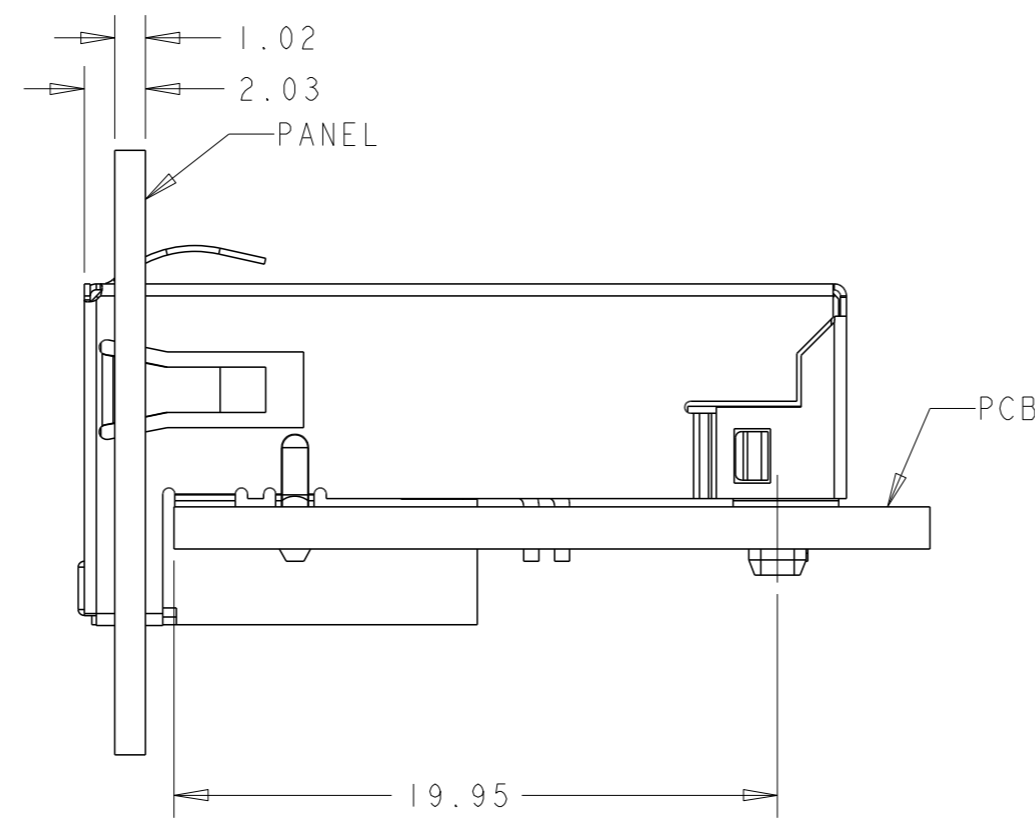
OPTION 1



OPTION 2



SUGGESTED PANEL CUTOUT



CONNECTOR ASSEMBLED  
TO PANEL AND PCB

THIS DRAWING IS A CONTROLLED DOCUMENT.		DWN TOMMY REN 10AUG2007	<p><b>trp</b> CONNECTOR a bel group</p>	DONGGUAN CHINA
DIMENSIONS: mm		CHK KEITH ZHU 10AUG2007		
TOLERANCES UNLESS OTHERWISE SPECIFIED:		APVD TEDDY XIONG 10AUG2007		
0 PLC ± 1 PLC ±0.25 2 PLC ±0.25 3 PLC ±0.25 4 PLC ± ANGLES ±°		MODEL NAME MAGJACK SINGLE NON-POE		
PRODUCT SPEC 108-2207	APPLICATION SPEC -	DESC IX1 4G62 GIGABIT TAB DOWN LOW PROFILE OFFSET W/ LED	SIZE A2	CAGE CODE -
CUSTOMER DRAWING			DRAWING NO C-1840437	RESTRICTED TO -
SCALE 4:1			SHEET 2 OF 2	REV J