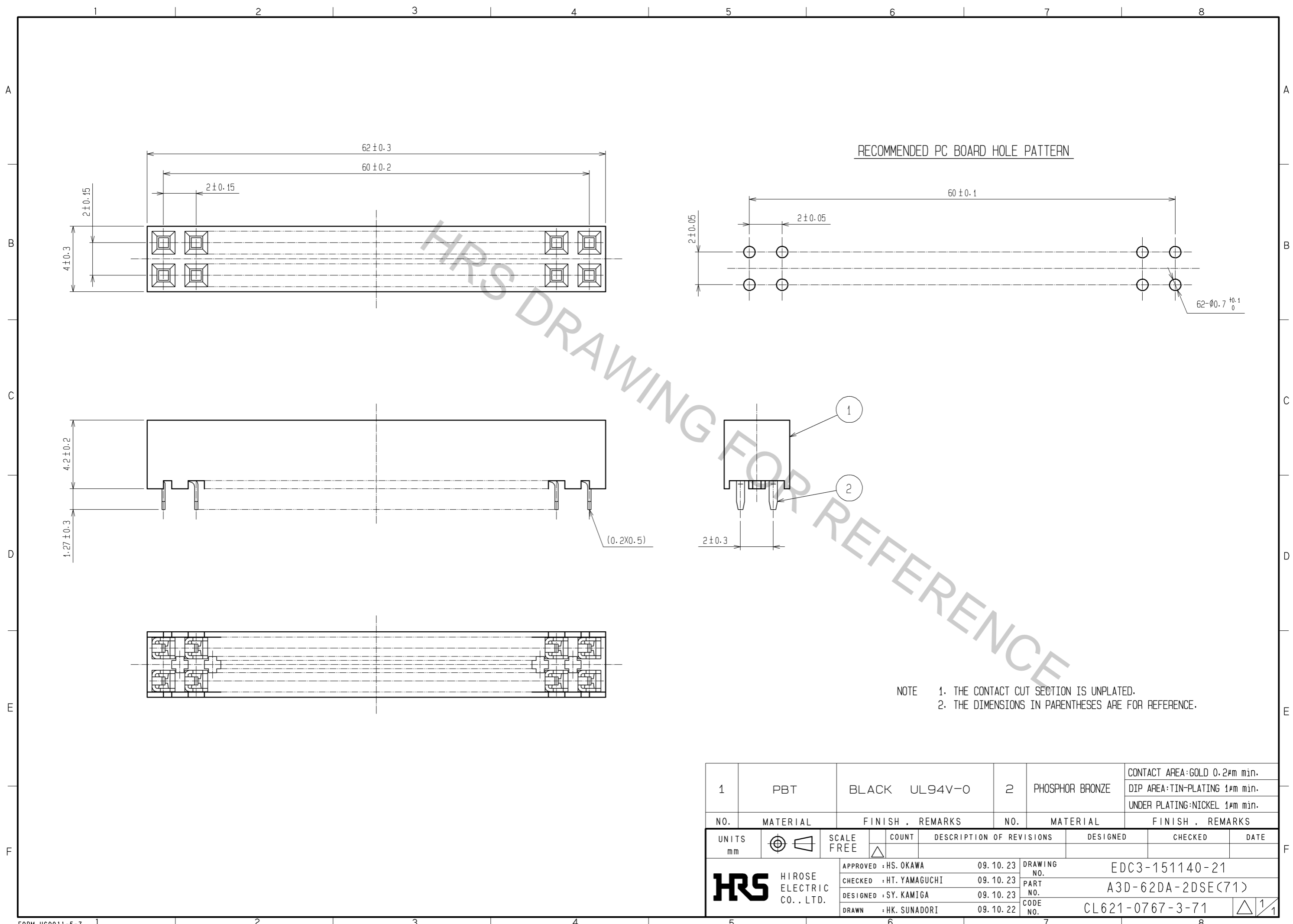


Apr.1.2017 Copyright 2017 HIROSE ELECTRIC CO., LTD. All Rights Reserved.



NOTE 1. THE CONTACT CUT SECTION IS UNPLATED.  
 2. THE DIMENSIONS IN PARENTHESES ARE FOR REFERENCE.

1	PBT	BLACK UL94V-0	2	PHOSPHOR BRONZE	CONTACT AREA:GOLD 0.2μm min. DIP AREA:TIN-PLATING 1μm min. UNDER PLATING:NICKEL 1μm min.		
NO.	MATERIAL	FINISH . REMARKS	NO.	MATERIAL	FINISH . REMARKS		
UNITS mm		SCALE FREE	COUNT 	DESCRIPTION OF REVISIONS	DESIGNED	CHECKED	DATE
<b>HRS</b> HIROSE ELECTRIC CO., LTD.		APPROVED : HS. OKAWA	09.10.23	DRAWING NO.	EDC3-151140-21		
		CHECKED : HT. YAMAGUCHI	09.10.23	PART NO.	A3D-62DA-2DSE(71)		
		DESIGNED : SY. KAMIGA	09.10.23	CODE NO.	CL621-0767-3-71		
		DRAWN : HK. SUNADORI	09.10.22				