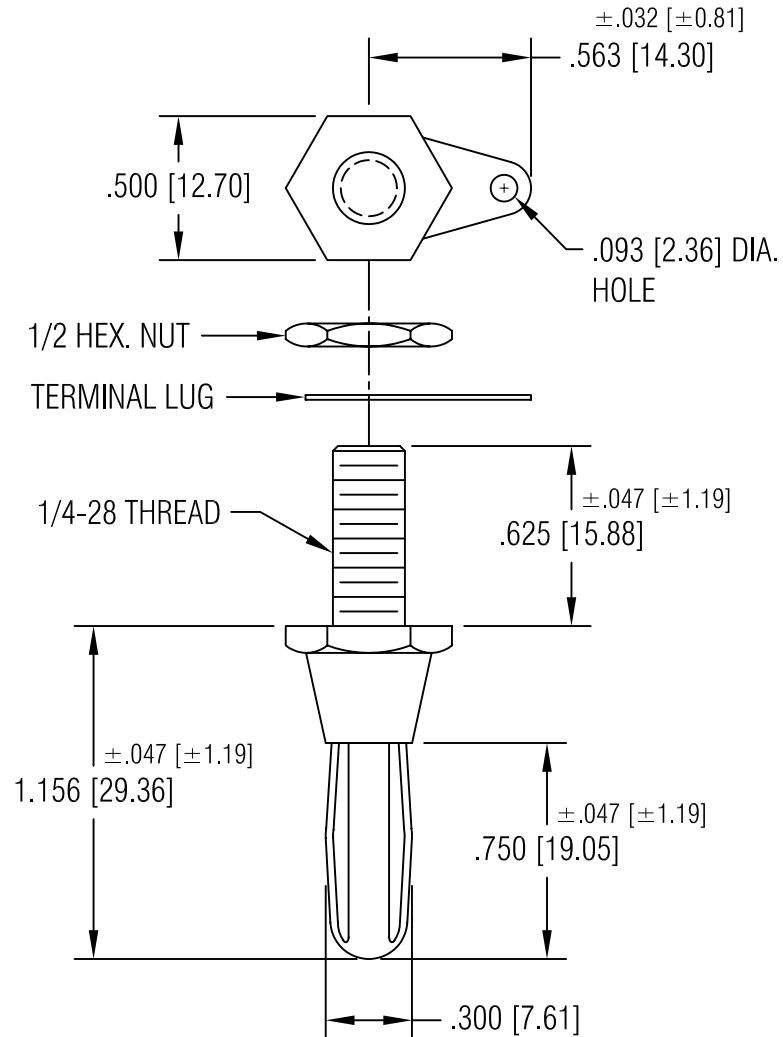


THIS DOCUMENT IS THE PROPERTY OF  
KEYSTONE ELECTRONICS CORP. AND  
SHALL NOT BE REPRODUCED, DISTRIBUTED  
OR USED AS A BASIS FOR MANUFACTURE  
WITHOUT PRIOR WRITTEN PERMISSION  
FROM KEYSTONE ELECTRONICS CORP.



NOTES:

1. SPRING: MAT'L - PHOSPHOR BRONZE  
BODY: MAT'L - BRASS  
TERMINAL LUG: MAT'L - BRASS  
NUT: MAT'L - BRASS

<b>KEYSTONE ELECTRONICS CORP.</b>			
ASTORIA, N.Y. 11105-2017			
PART NAME			
EXTERNAL THREAD BANANA PLUG			
MATERIAL			
AS NOTED			
FINISH		DRN BY	DATE
NICKEL PLATE		BOONE	11.28.06
		APP'D	SCALE
		LN	1.5X
TOLERANCES		DWG NO.	
INCH	[MM]		
DECIMAL	$\pm .010$ [ $\pm 0.25$ ]		
ANGULAR	$\pm 1^\circ$		
UNLESS OTHERWISE SPECIFIED			
	CODE		
	C/M		
		<b>6075</b>	

DATE	DESCRIPTION	REV.