

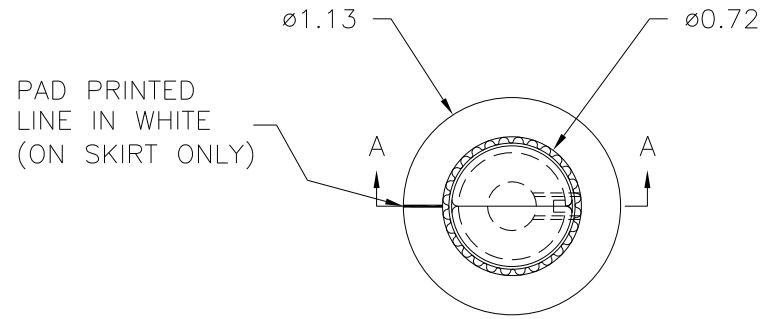
PART NAME: KNOB SCALE: 1:1 DATE: 1/11/02 DR. BY JAM

THIS DRAWING IS THE PROPERTY OF DAVIES MOLDING COMPANY, IS SUBMITTED SOLELY AS A DESIGN OR ENGINEERING PROJECT. WE ACCEPT NO RESPONSIBILITY WHATSOEVER FOR THE PRACTICAL APPLICATION OF THE PIECES MADE TO THIS DESIGN.

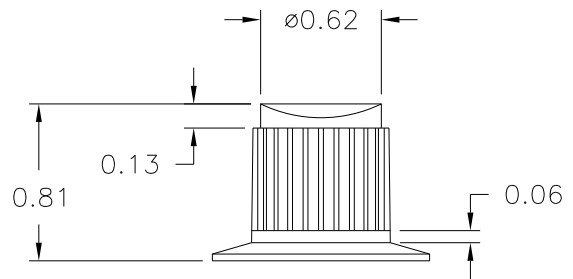


DESIGNERS & MANUFACTURERS OF KNOBS, HANDLES, CASES & CUSTOM PLASTIC COMPONENTS

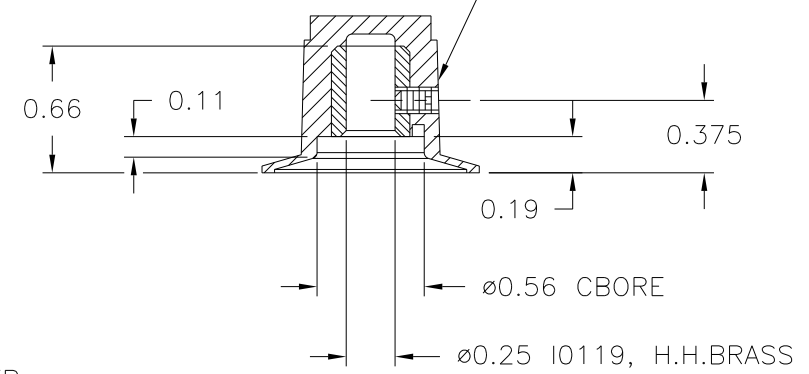
P/N 8072-F  
 BASE PART 8072-01  
 SET SCREW I0252



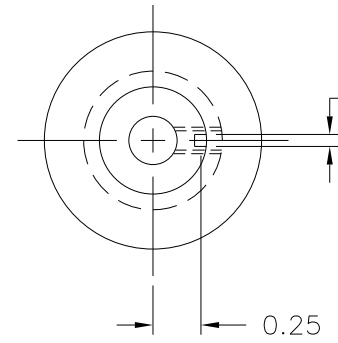
#6-32 TAP,



USE #36 DRILL (0.106),  
 #6-32 THREAD  
 X 3/16 LG. CUP POINTED,  
 HEADLESS, SOCKET TYPE,  
 SET SCREW, I0252.



SECTION A-A



MATERIAL: ABS  
 COLOR: BLACK

TOLERANCES: UNLESS OTHERWISE SPECIFIED	DO NOT SCALE DRAWING			
DECIMALS: X.XXX ± .005 X.XX ± .015	MM: X.XX ± 0.15MM X.X ± 0.4MM	A	CORRECTED LOCATING HOLE SHAPE & DIMENSIONS	JAM 9/11/09
		-	ADDED LOCATING HOLE AND CORRECTED PART APPEARANCE	TS 12/26/02
FRACTIONS ± 1/64	ANG. ± 1°	CHANGES		