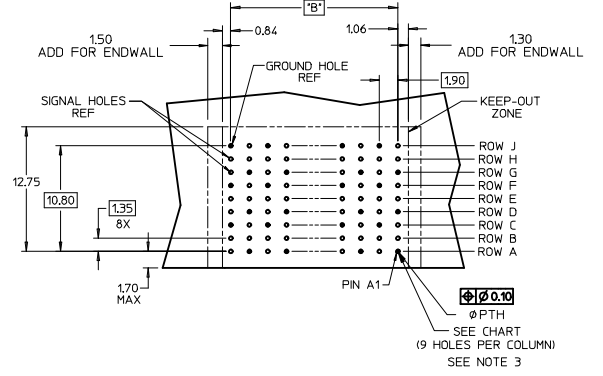
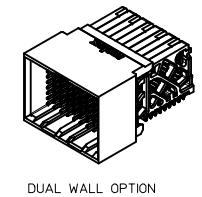
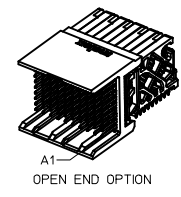
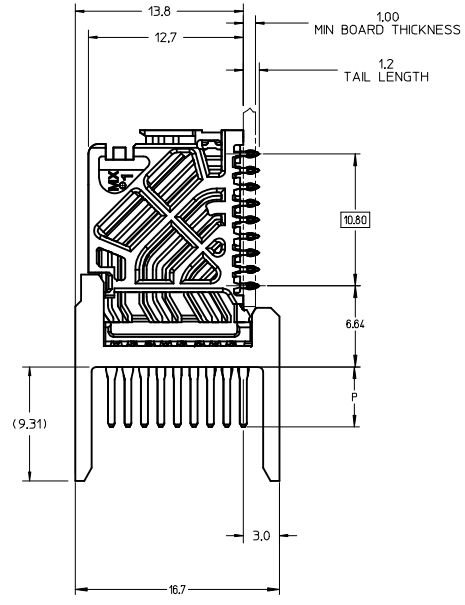
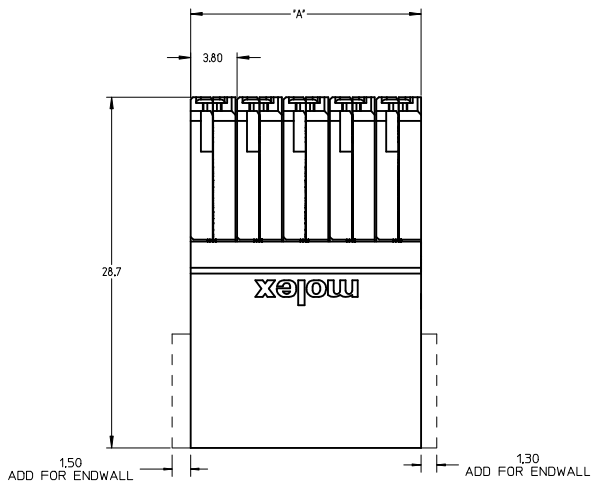


MATERIAL NUMBER	# OF COLUMNS	# OF DIFF PAIR	DIM 'A' MAX	DIM 'B'	PTH#
76410-8***	8	24	15.20	13.30	0.46+0.05
76410-1***	10	30	19.00	17.10	0.46+0.05
76410-6***	16	48	30.40	28.50	0.46+0.05
76410-8***	8	24	15.20	13.30	0.39+0.05
76410-1***	10	30	19.00	17.10	0.39+0.05
76410-6***	16	48	30.40	28.50	0.39+0.05

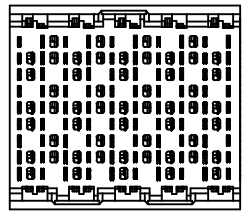
76410-***

- MODULE TYPE
1 = UNGUIDED, LEAD-FREE
- # OF COLUMNS
1 = 10 COLUMNS
6 = 16 COLUMNS
8 = 8 COLUMNS
- PIN LENGTH (P)
4 = 4.90 (0.46 PTH)
5 = 5.50 (0.46 PTH)
7 = 4.90 (0.39 PTH)
8 = 5.50 (0.39 PTH)
- END WALL OPTIONS
0 = OPEN ENDS
1 = LEFT ENDWALL
2 = DUAL ENDWALL
3 = RIGHT ENDWALL

- NOTES:
1. MATERIALS: HOUSING - LIQUID CRYSTAL POLYMER (LCP), GLASS-FILLED, UL94V-0 TERMINALS - HIGH PERFORMANCE COPPER ALLOY
 2. FINISH: 30µIN SELECTIVE GOLD IN CONTACT AREA, SELECTIVE TIN ON PCB TAILS, NICKEL OVERALL.
 3. REFER TO MOLEX PRODUCT SPECIFICATION PS-76060-999 FOR PERFORMANCE SPECIFICATIONS AND ADDITIONAL PCB INFORMATION.
 4. EACH SIGNAL WAFER CONTAINS 2 COLUMNS OF TERMINALS.
 5. PRODUCT IS PACKAGED PER PK-70873-762.
 6. THIS PART CONFORMS TO CLASS B REQUIREMENTS OF COSMETIC SPEC PS-45499-002.
 7. REFER TO MOLEX SALES DRAWING SD-76170-001 FOR THE MATING RECEPTACLES.
 8. REFER TO MOLEX PCB ROUTING GUIDE AS-76060-990 FOR ANTPAD AND ROUTING RECOMMENDATIONS.
 9. OPEN WALL VERSION SHOWN FOR CLARITY.

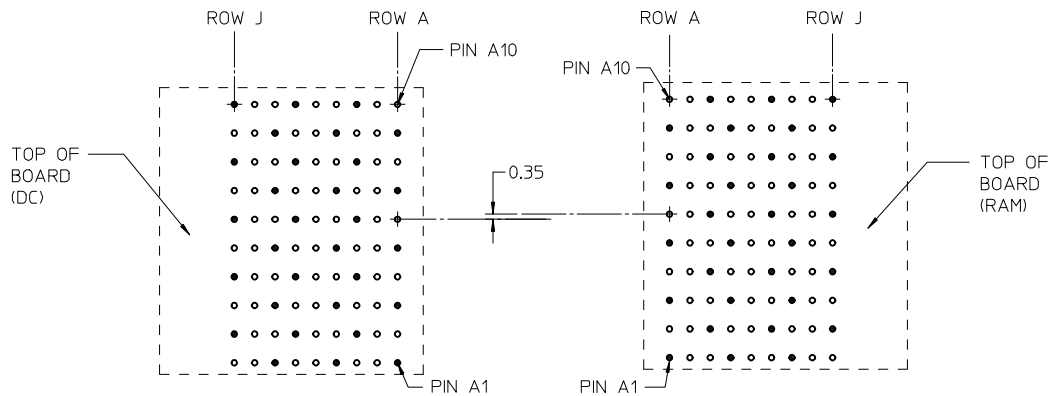
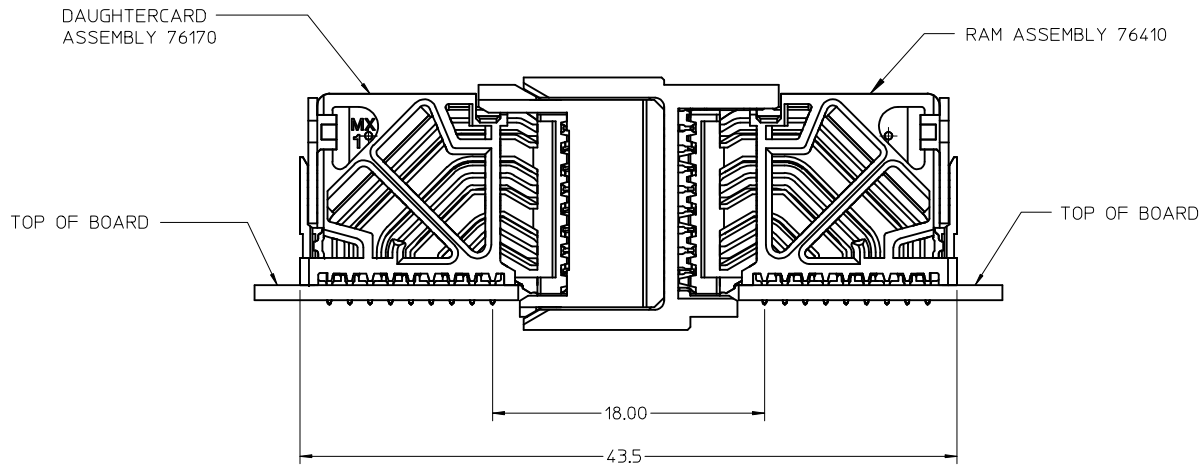


RAM HOLE PATTERN (CONNECTOR SIDE)



UPD DRAWING/REV LAYOUT DEC NO: UCP2014-4965 DRWN: GONZALEZ01 2014/05/27 CHKD: APPR: ILO REV D2	QUALITY SYMBOLS ▽=0 ▽=0 ▽=0	GENERAL TOLERANCES (UNLESS SPECIFIED) <table border="1"> <thead> <tr> <th></th> <th>mm</th> <th>INCH</th> </tr> </thead> <tbody> <tr> <td>4 PLACES</td> <td>±---</td> <td>±---</td> </tr> <tr> <td>3 PLACES</td> <td>±---</td> <td>±---</td> </tr> <tr> <td>2 PLACES</td> <td>±0.13</td> <td>±---</td> </tr> <tr> <td>1 PLACE</td> <td>±0.25</td> <td>±---</td> </tr> <tr> <td>0 PLACE</td> <td>±</td> <td>±</td> </tr> </tbody> </table>		mm	INCH	4 PLACES	±---	±---	3 PLACES	±---	±---	2 PLACES	±0.13	±---	1 PLACE	±0.25	±---	0 PLACE	±	±	DIMENSION STYLE MM ONLY	SCALE 5:1	DESIGN UNITS METRIC	THIRD ANGLE PROJECTION
		mm	INCH																					
	4 PLACES	±---	±---																					
	3 PLACES	±---	±---																					
2 PLACES	±0.13	±---																						
1 PLACE	±0.25	±---																						
0 PLACE	±	±																						
	DRAFT WHERE APPLICABLE MUST REMAIN WITHIN DIMENSIONS	MATERIAL NO. SEE TABLE	DRAWN BY JLAURX	DATE 2008/10/21	TITLE IMPACT 3 PAIR RAM UNGUIDED SIGNAL MODULE SALES DRAWING																			
		ANGULAR ±1/2°	APPROVED BY JLAURX	DATE 2008/10/21	molex																			
			DOCUMENT NO. SD-76410-001	SHEET NO. 1 OF 2	THIS DRAWING CONTAINS INFORMATION THAT IS PROPRIETARY TO MOLEX INCORPORATED AND SHOULD NOT BE USED WITHOUT WRITTEN PERMISSION																			

COPLANAR APPLICATION



COPLANAR MATED SIGNAL PATHS



SEE SHEET 1 EC NO: UCP2014-4965 DRWN: GONZALEZ01 2014/05/27 CHKD: APPR: TELO 2015/01/30	QUALITY SYMBOLS	GENERAL TOLERANCES (UNLESS SPECIFIED)	DIMENSION STYLE MM ONLY	SCALE 4:1	DESIGN UNITS METRIC	THIRD ANGLE PROJECTION
	▽=0	mm INCH	DRAWN BY JLAURX	DATE 2008/10/21	TITLE IMPACT 3 PAIR RAM UNGUIDED SIGNAL MODULE SALES DRAWING molex DOCUMENT NO. SD-76410-001 SHEET NO. 2 OF 2	
	▽=0	4 PLACES ± --- ± ---	CHECKED BY JJONIAK	DATE 2008/10/21		
	▽=0	3 PLACES ± --- ± ---	APPROVED BY JLAURX	DATE 2008/10/21		
	▽=0	2 PLACES ± 0.13 ± ---	MATERIAL NO.			
▽=0	1 PLACE ± 0.25 ± ---	SEE TABLE				
		0 PLACE ± ±	DRAFT WHERE APPLICABLE MUST REMAIN WITHIN DIMENSIONS		THIS DRAWING CONTAINS INFORMATION THAT IS PROPRIETARY TO MOLEX. INCORPORATED AND SHOULD NOT BE USED WITHOUT WRITTEN PERMISSION	