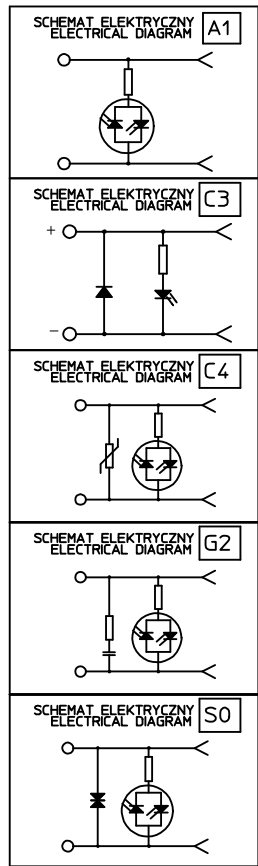


RODZAJ POLACZENIA/INTERNAL CIRCUIT
 PATRZ SCHEMATY POLACZEN/WIRING CONFIGURATION
 NAPIECIE ORAZ KOLOR DIODY/VOLTAGE AND LED COLOUR:

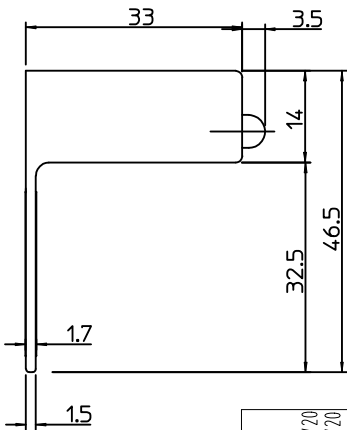
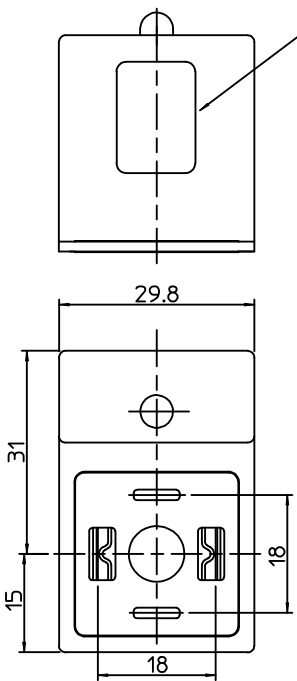
1= 12V	A= 12V	G= 12V	ZOLTA DIODA YELLOW LED
2= 24V	B= 24V	H= 24V	
3= 48V	C= 48V	K= 48V	
4= 115V	D= 115V	L= 115V	
5= 230V	E= 230V	M= 230V	

MOLEX PN	MPM PN	MOLEX PN	MPM PN
1210010189	A06A11	1210010216	A06C4D
1210010190	A06A12	1210010217	A06C4E
1210010192	A06A14	1210010219	A06C4H
1210010193	A06A15	1210010220	A06C4L
1210010194	A06A1B	1210010221	A06C4M
1210010197	A06A1H	1210010222	A06G21
1210010199	A06A1L	1210010223	A06G22
1210010200	A06A1M	1210010225	A06G24
1210010202	A06C32	1210010226	A06G25
1210010205	A06C35	1210010228	A06G2B
1210010206	A06C3B	1210010229	A06G2D
1210010207	A06C3H	1210010230	A06G2E
1210010209	A06C41	1210010231	A06G2H
1210010210	A06C42	1210010232	A06G2K
1210010211	A06C43	1210010233	A06G2L
1210010212	A06C44	1210010234	A06G2M
1210010213	A06C45	1210010236	A06S02
1210010420	A06C4A	1210010240	A06S0H
1210010214	A06C4B	1210010198	A06A1K
1210010215	A06C4C	1210010241	A06S0L

SCHEMATY POLACZEN
 /WIRING CONFIGURATION

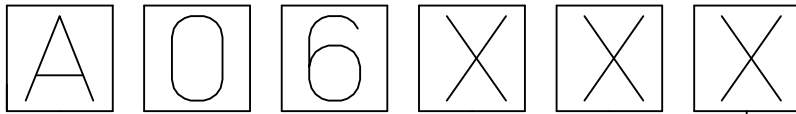


TAMPONADRUK SCHEMATU (BIALY)
 CIRCUIT PRINTOUT (WHITE)



ORIGINAL RELEASE EC NO: WEUS2009-0479 DRWIN: MWOLSZCZAK 2009/05/20 CHYKD: MDABROWSKA 2009/05/20 APPR: GOGRODNIK 2009/05/20	QUALITY SYMBOLS	GENERAL TOLERANCES (UNLESS SPECIFIED)	DIMENSION STYLE	SCALE	DESIGN UNITS	FIRST ANGLE PROJECTION															
		<table border="1"> <tr><th></th><th>mm</th><th>INCH</th></tr> <tr><td>4 PLACES</td><td>± ---</td><td>± ---</td></tr> <tr><td>3 PLACES</td><td>± ---</td><td>± ---</td></tr> <tr><td>2 PLACES</td><td>± ---</td><td>± ---</td></tr> <tr><td>1 PLACE</td><td>± ---</td><td>± ---</td></tr> </table>		mm	INCH	4 PLACES	± ---	± ---	3 PLACES	± ---	± ---	2 PLACES	± ---	± ---	1 PLACE	± ---	± ---	MM ONLY	---	METRIC	
		mm	INCH																		
	4 PLACES	± ---	± ---																		
	3 PLACES	± ---	± ---																		
2 PLACES	± ---	± ---																			
1 PLACE	± ---	± ---																			
DESCRIPTION	ANGULAR ± ---°	DRAWN BY DATE	TITLE	MPM A06 ADAPTORS																	
REV	DRAFT WHERE APPLICABLE MUST REMAIN WITHIN DIMENSIONS	MLEVYTSKYY 2009/05/05 MDABROWSKA 2009/05/05 MWOLSZCZAK 2009/05/05	MOLEX INCORPORATED DOCUMENT NO. A06XXX	SHEET NO. 1 OF 1																	
		SIZE A3	THIS DRAWING CONTAINS INFORMATION THAT IS PROPRIETARY TO MOLEX INCORPORATED AND SHOULD NOT BE USED WITHOUT WRITTEN PERMISSION																		

A06 - ADAPTOR FOR DIN A



INTERNAL CIRCUIT

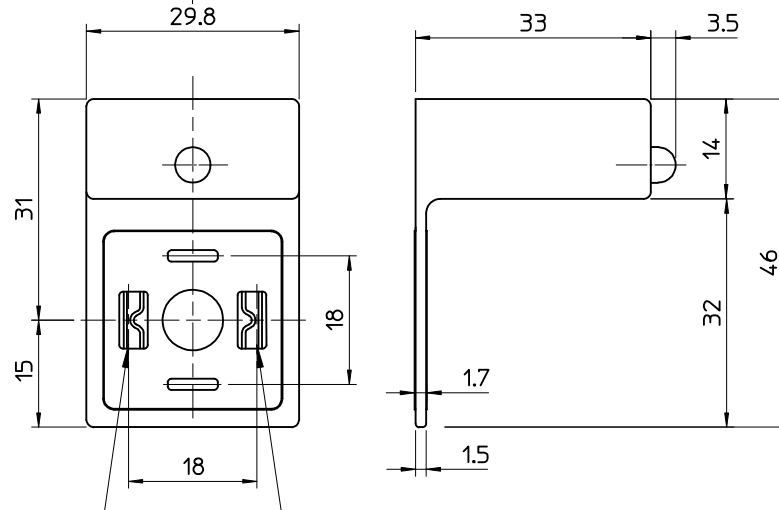
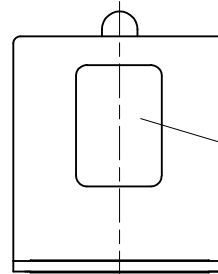
VOLTAGE AND LED COLOUR:

1= 12V	A= 12V	G= 12V
2= 24V	B= 24V	H= 24V
3= 48V	C= 48V	K= 48V
4= 115V	D= 115V	L= 115V
5= 230V	E= 230V	M= 230V

RED LED GREEN LED YELLOW LED

Chart 1

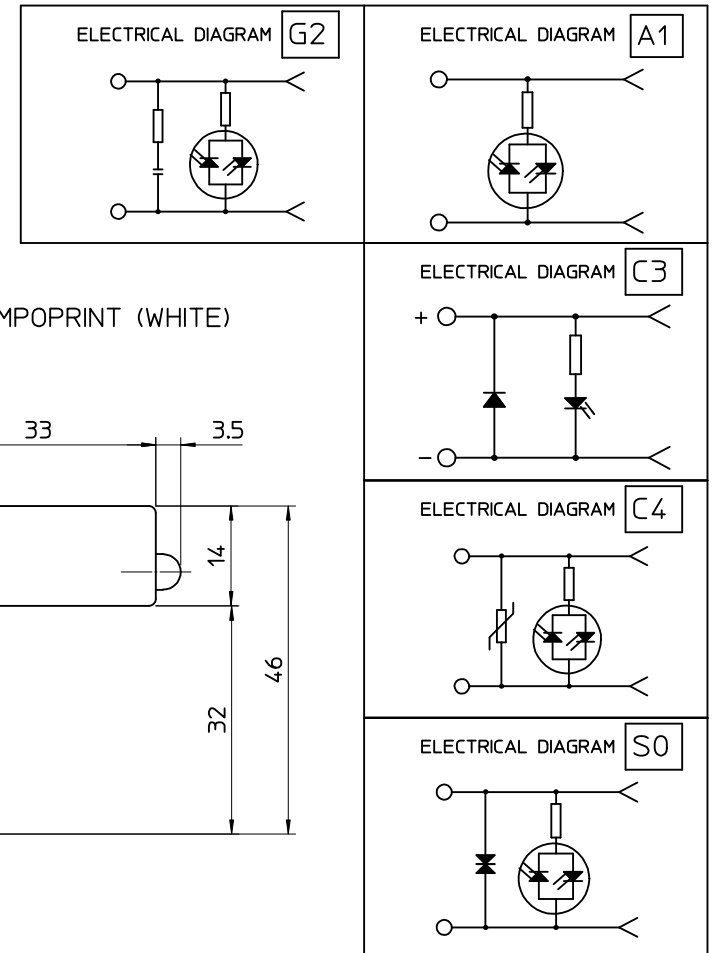
Engineering no.	SAP Part Number	Circuit type	LED Color
A06A11	1210010189	A1 12V	Red
A06A12	1210010190	A1 24V	Red
A06A14	1210010192	A1 115V	Red
A06A15	1210010193	A1 230V	Red
A06A1B	1210010194	A1 24V	Green
A06A1E	1210010437	A1 230V	Green
A06A1H	1210010197	A1 24V	Yellow
A06A1K	1210010198	A1 48V	Yellow
A06A1L	1210010199	A1 115V	Yellow
A06A1M	1210010200	A1 230V	Yellow
A06C32	1210010202	C3 24V	Red
A06C35	1210010205	C3 230V	Red
A06C3B	1210010206	C3 24V	Green
A06C3H	1210010207	C3 24V	Yellow
A06C41	1210010209	C4 12V	Red
A06C42	1210010210	C4 24V	Red
A06C43	1210010211	C4 48V	Red
A06C44	1210010212	C4 115V	Red
A06C45	1210010213	C4 230V	Red
A06C4A	1210010420	C4 12V	Green
A06C4B	1210010214	C4 24V	Green
A06C4C	1210010215	C4 48V	Green
A06C4D	1210010216	C4 115V	Green
A06C4E	1210010217	C4 230V	Green
A06C4G	1210010218	C4 12V	Yellow
A06C4H	1210010219	C4 24V	Yellow
A06C4L	1210010220	C4 115V	Yellow
A06C4M	1210010221	C4 230V	Yellow
A06G21	1210010222	G2 12V	Red
A06G22	1210010223	G2 24V	Red
A06G23	1210010224	G2 48V	Red
A06G24	1210010225	G2 115V	Red
A06G25	1210010226	G2 230V	Red
A06G2B	1210010228	G2 24V	Green
A06G2D	1210010229	G2 115V	Green
A06G2E	1210010230	G2 230V	Green
A06G2H	1210010231	G2 24V	Yellow
A06G2K	1210010232	G2 48V	Yellow
A06G2L	1210010233	G2 115V	Yellow
A06G2M	1210010234	G2 230V	Yellow
A06S02	1210010236	S0 24V	Red
A06S0H	1210010240	S0 24V	Yellow
A06S0L	1210010241	S0 115V	Yellow



For C3 circuit (+)

For C3 circuit (-)

Wiring configuration



ORIGINAL RELEASE EC NO: IPG2013-1225 DRWN: JMARSZALEK 2013/02/11 CHKD: MSZWAJKOWSKI 2013/02/11 APPR: MIWASIECZKO 2013/02/12	QUALITY SYMBOLS ▽=0 ◻=0	GENERAL TOLERANCES (UNLESS SPECIFIED)	DIMENSION STYLE MM ONLY	SCALE -	DESIGN UNITS METRIC	FIRST ANGLE PROJECTION
A	REV	ANGULAR ±---°	DRAWN BY JMARSZALEK	DATE 2013/02/11	TITLE LIGHTS ADAPTORS SERIES A06XXX FOR DIN A	
		DRAFT WHERE APPLICABLE MUST REMAIN WITHIN DIMENSIONS	CHECKED BY MSZWAJKOWSKI	DATE 2013/02/11	DOCUMENT NO. SD-121001-006	
			APPROVED BY MIWASIECZKO	DATE 2013/02/12		
SIZE A4		THIS DRAWING CONTAINS INFORMATION THAT IS PROPRIETARY TO MOLEX INCORPORATED AND SHOULD NOT BE USED WITHOUT WRITTEN PERMISSION				