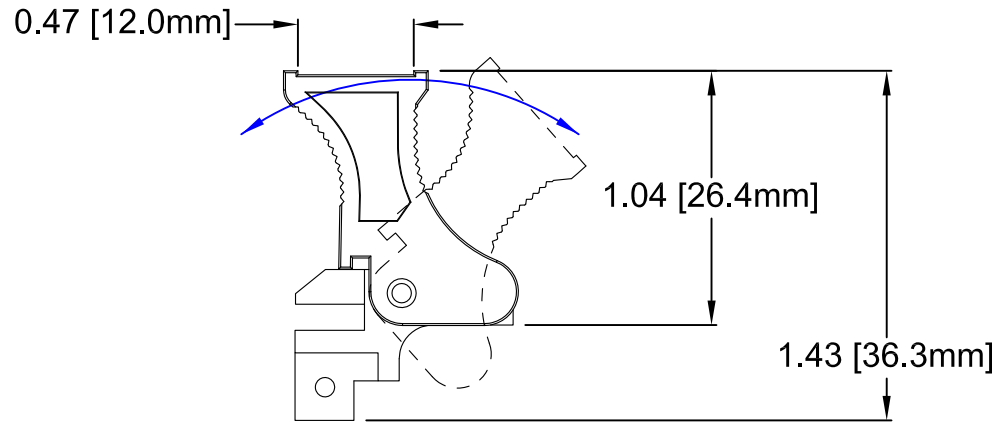
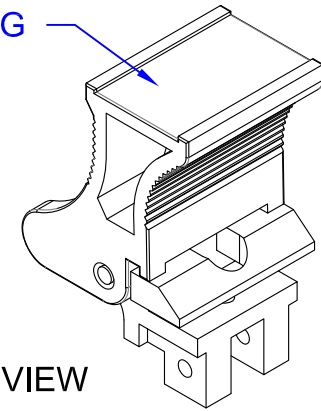


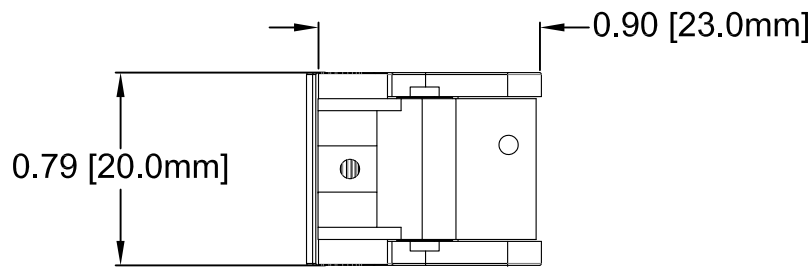
REV.	DESCRIPTION	DATE	APPROVED
A	Engineering Release.	07/18/14	J. C.



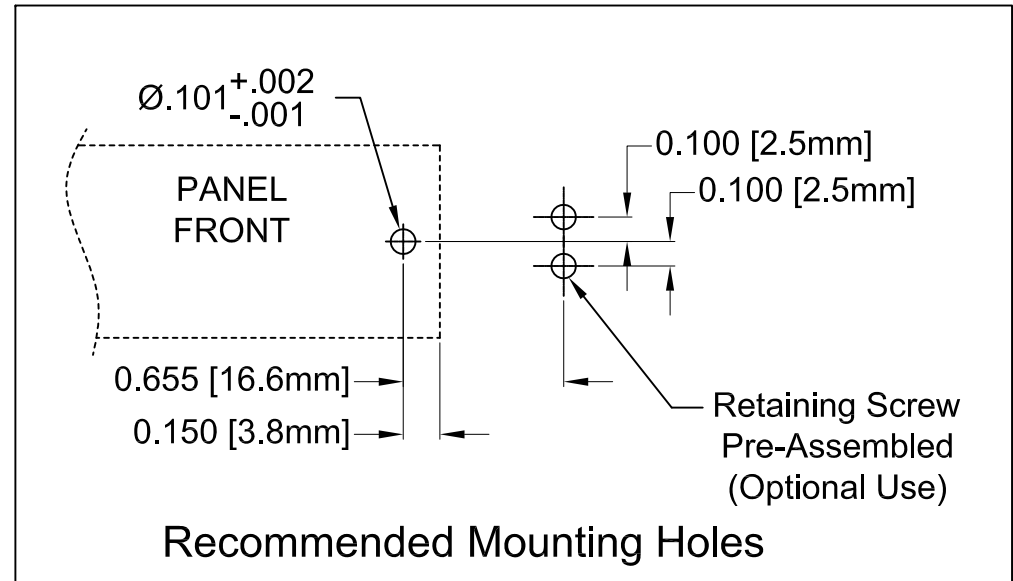
AREA FOR MARKING



3D VIEW





ORDERING INFORMATION:
 CPCI-E7GY: GRAY COLOR
 CPCI-E7BK: BLACK COLOR



Recommended Mounting Holes

NOTES:

1. Compliant with PICMG CPCI standard
2. Mounting screws shipped unassembled

STANDARD TOLERANCE (UNLESS OTHERWISE SPECIFIED)		 4 THOMAS, IRVINE, CA. 92618 TEL: (949) 951-8808 FAX: (949) 951-3974			
DECIMALS	ANGULAR				
.X ±.1	X° ± 1°				
.XX ±.01			TITLE: CPCI EJECTOR HANDLE STYLE E7		
.XXX ±.005			DESIGNED: Brian Oliver	DATE: 07/18/14	PART NO: CPCI-E7XX
		CHECKED: A. Wright	DATE: 07/18/14	CAGE CODE : 32559	SHEET # 1 OF 1
CAD GENERATED DOCUMENT, DO NOT MEASURE DRAWING.					